

PALM CITY IRONWORKS

URBAN SERIES OUTSWING/INSWING DOORS (WZ3) (IMPACT)



PALM CITY IRONWORKS
3160 KUTAK RD.
FORT MYERS, FL 33916

PH: (239) 691-8400 FX: (239)277-0061

GENERAL NOTES:

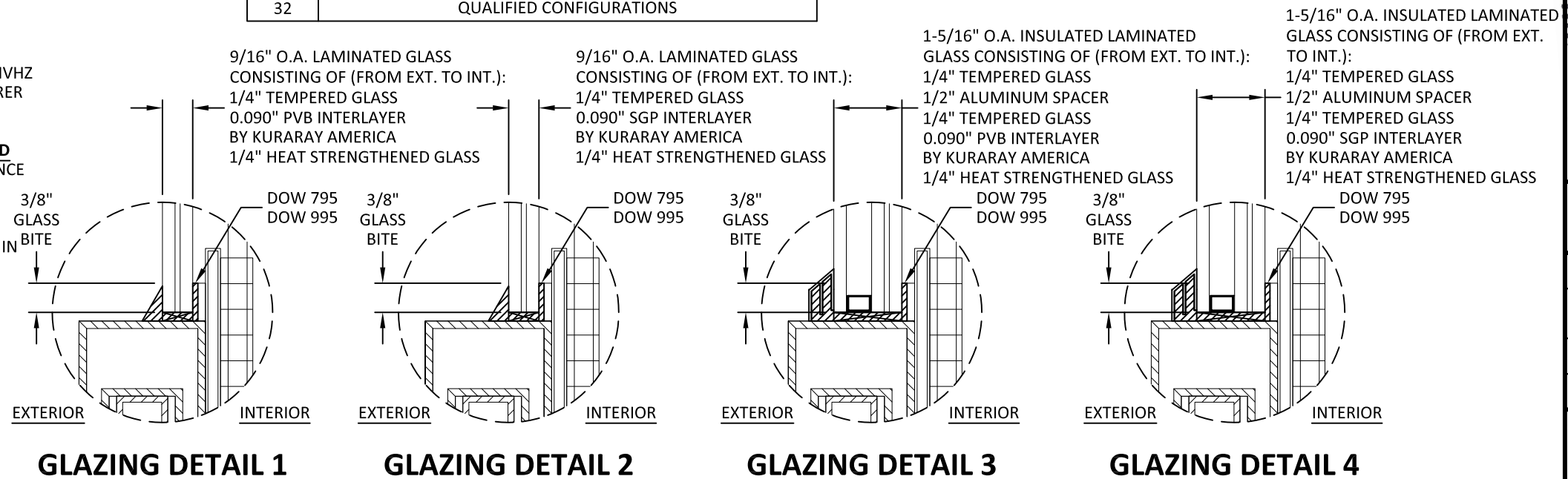
- THE PRODUCT SHOWN HEREIN IS DESIGNED AND MANUFACTURED TO COMPLY WITH THE CURRENT EDITION FLORIDA BUILDING CODE (FBC), **EXCLUDING** HVHZ AND HAS BEEN EVALUATED ACCORDING TO THE FOLLOWING:
 - ASTM E283-04(12)
 - ASTM E330-14
 - ASTM E331-00(09)
 - ASTM E1886-13a
 - ASTM E1996-17
 - TAS 201-94
 - TAS 202-94
 - TAS 203-94
- ADEQUACY OF THE EXISTING STRUCTURAL CONCRETE/ MASONRY, 2X WOOD & STEEL FRAMING AS A MAIN WIND FORCE RESISTING SYSTEM CAPABLE OF WITHSTANDING AND TRANSFERRING APPLIED PRODUCT LOADS TO THE FOUNDATION IS THE RESPONSIBILITY OF THE ENGINEER OR ARCHITECT OF RECORD FOR THE PROJECT OF INSTALLATION.
- 1X AND 2X BUCKS (WHEN USED) SHALL BE DESIGNED AND ANCHORED TO PROPERLY TRANSFER ALL LOADS TO THE STRUCTURE. BUCK DESIGN AND INSTALLATION IS THE RESPONSIBILITY OF THE ENGINEER OR ARCHITECT OF RECORD FOR THE PROJECT OF INSTALLATION.
- THE INSTALLATION DETAILS DESCRIBED HEREIN ARE GENERIC AND MAY NOT REFLECT ACTUAL CONDITIONS FOR A SPECIFIC SITE. IF SITE CONDITIONS CAUSE INSTALLATION TO DEVIATE FROM THE REQUIREMENTS DETAILED HEREIN, A LICENSED ENGINEER OR ARCHITECT SHALL PREPARE SITE SPECIFIC DOCUMENTS FOR USE WITH THIS DOCUMENT. FOR NON-HVHZ AREA, INSTALLATION TO BE REVIEWED BY AHJ (AUTHORITY HAVING JURISDICTION).
- DEVIATION FROM THIS FLORIDA PRODUCT APPROVAL IN HVHZ AREA REQUIRES APPROVAL FROM MIAMI-DADE COUNTY RER OR AHJ.
- APPROVED IMPACT PROTECTIVE SYSTEM **IS NOT REQUIRED** ON THIS PRODUCT IN AREAS REQUIRING IMPACT RESISTANCE IN WIND ZONE 3 OR LESS.
- APPROVED IMPACT PROTECTIVE SYSTEM **IS REQUIRED** ON THIS PRODUCT IN AREAS REQUIRING IMPACT RESISTANCE IN WIND ZONE 4.
- DOOR MATERIAL: STEEL
- GLASS MEET THE REQUIREMENTS OF ASTM E1300 GLASS CHARTS. SEE SHEET 1 FOR GLAZING DETAILS.
- CUSTOM SIZES AVAILABLE UPON REQUEST.

TABLE OF CONTENTS	
SHEET	SHEET DESCRIPTION
1	GENERAL NOTES & GLAZING DETAIL
2	ELEVATION & ANCHOR LAYOUT
3	ELEVATION & ANCHOR LAYOUT
4	ELEVATION & ANCHOR LAYOUT
5	ELEVATION & ANCHOR LAYOUT
6	ELEVATION & ANCHOR LAYOUT
7	ELEVATION & ANCHOR LAYOUT
8	ELEVATION
9	ELEVATION
10	ANCHOR LAYOUT
11	ANCHOR LAYOUT
12	ELEVATION
13	ANCHOR LAYOUT
14	ANCHOR LAYOUT
15	ELEVATION & ANCHOR LAYOUT
16	ANCHOR LAYOUT
17	ELEVATION & ANCHOR LAYOUT
18	ANCHOR LAYOUT
19-23	VERTICAL SECTIONS
24-28	HORIZONTAL SECTIONS
29	INSTALLATION NOTES, ANCHOR DETAILS & ANCHOR SCHEDULE
30	COMPONENTS & BILL OF MATERIALS
31	COMPONENTS
32	QUALIFIED CONFIGURATIONS

DESIGN PRESSURE RATING				
CONFIGURATION	MAX. O.A. PRODUCT SIZE		DESIGN PRESSURE	MISSILE IMPACT RATING
	WIDTH	HEIGHT		
X	40.00"	120.00"	+70.0/-70.0 PSF	SMI & LMI
O	80.00"			
XX				
OXXO	240.00"			
OOO				
XOOX	152.00"	148.00"		
OOO OXXO				
OOO OXXO (ROUND TOP)	152.00"	176.00"		

GLAZING NOTES:

- GLASS TYPE AND THICKNESS COMPLY WITH ASTM E1300 REQUIREMENTS AS WELL AS APPLICABLE SAFETY GLAZING REQUIREMENTS PER THE FBC. THICKNESS, TEMPER, AND SAFETY GLAZING REQUIREMENTS SHALL BE REVIEWED ON A SITE SPECIFIC BASIS.
- SETTING BLOCK DUROMETER HARDNESS OF 70-90 (SHORE A) AS REFERENCED IN FBC CHAPTER 24.
- SETTING BLOCKS TO BE LOCATED AT 1/4 SPAN LENGTH FOR GLASS WIDER THAN 36" AS PER FBC CHAPTER 24.
- D.L.O. AND DESIGN PRESSURES MAY NOT EXCEED MAX VALUES DEPICTED HEREIN.



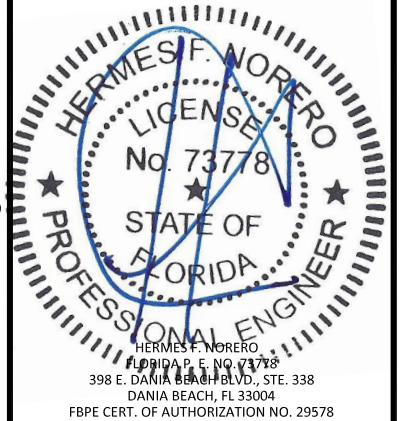
GLAZING DETAIL 1

GLAZING DETAIL 2

GLAZING DETAIL 3

GLAZING DETAIL 4

THE INSTALLATION DETAILS DESCRIBED HEREIN ARE GENERIC AND MAY NOT REFLECT ACTUAL CONDITIONS FOR A SPECIFIC SITE. IF SITE CONDITIONS CAUSE INSTALLATION TO DEVIATE FROM THE REQUIREMENTS DETAILED HEREIN, A LICENSED ENGINEER OR ARCHITECT SHALL PREPARE SITE SPECIFIC DOCUMENTS FOR USE WITH THIS DOCUMENT.



FL27071

DATE: **01.16.23**

DWG. BY: **MS** CHK. BY: **HFN**

SCALE: **NTS**

DWG. #: **PCI016**

SHEET:

1

OF 32

TITLE: URBAN SERIES OUTSWING / INSWING NARROW STYLE DOOR (WZ3) (IMPACT)

GENERAL NOTES & GLAZING DETAIL

PREPARED BY: BUILDING DROPS, INC.
398 E. DANIA BEACH BLVD., STE. 338
DANIA BEACH, FL 33004
PH: (954)399-8478
FAX: (954)744-4738
WEB: www.buildingdrops.com

REMARKS	BY	DATE

2/14/2023 6:19 PM s:\projects\palmcity\ironworks\inc\fbc-19-1124-fbc-submittal-ff16749-ff27071-ff27072-ff27073-ff27074-ff27075-mulicon\dwgs\urban-door\new-package\pci016.dwg

TITLE:
URBAN SERIES OUTSWING / INSWING
NARROW STILE DOOR
(WZ3) (IMPACT)

ELEVATION & ANCHOR LAYOUT

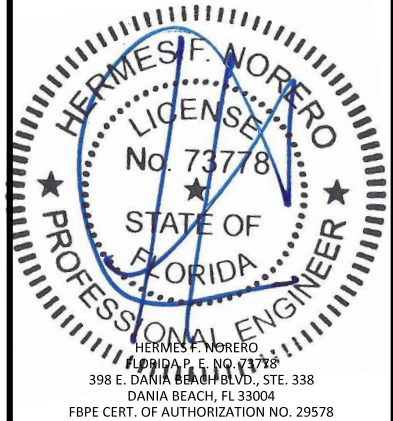
PREPARED BY:
BUILDING DROPS, INC.

398 E. DANIA BEACH BLVD., STE. 338
DANIA BEACH, FL 33004
PH: (954) 399-8478
FAX: (954) 744-4738
WEB: www.buildingdrops.com



REMARKS	BY	DATE

THE INSTALLATION DETAILS DESCRIBED HEREIN ARE GENERIC AND MAY NOT REFLECT ACTUAL CONDITIONS FOR A SPECIFIC SITE. IF SITE CONDITIONS CAUSE INSTALLATION TO DEVIATE FROM THE REQUIREMENTS DETAILED HEREIN, A LICENSED ENGINEER OR ARCHITECT SHALL PREPARE SITE SPECIFIC DOCUMENTS FOR USE WITH THIS DOCUMENT.



FL27071

DATE: **01.16.23**

DWG. BY: **MS** CHK. BY: **HFN**

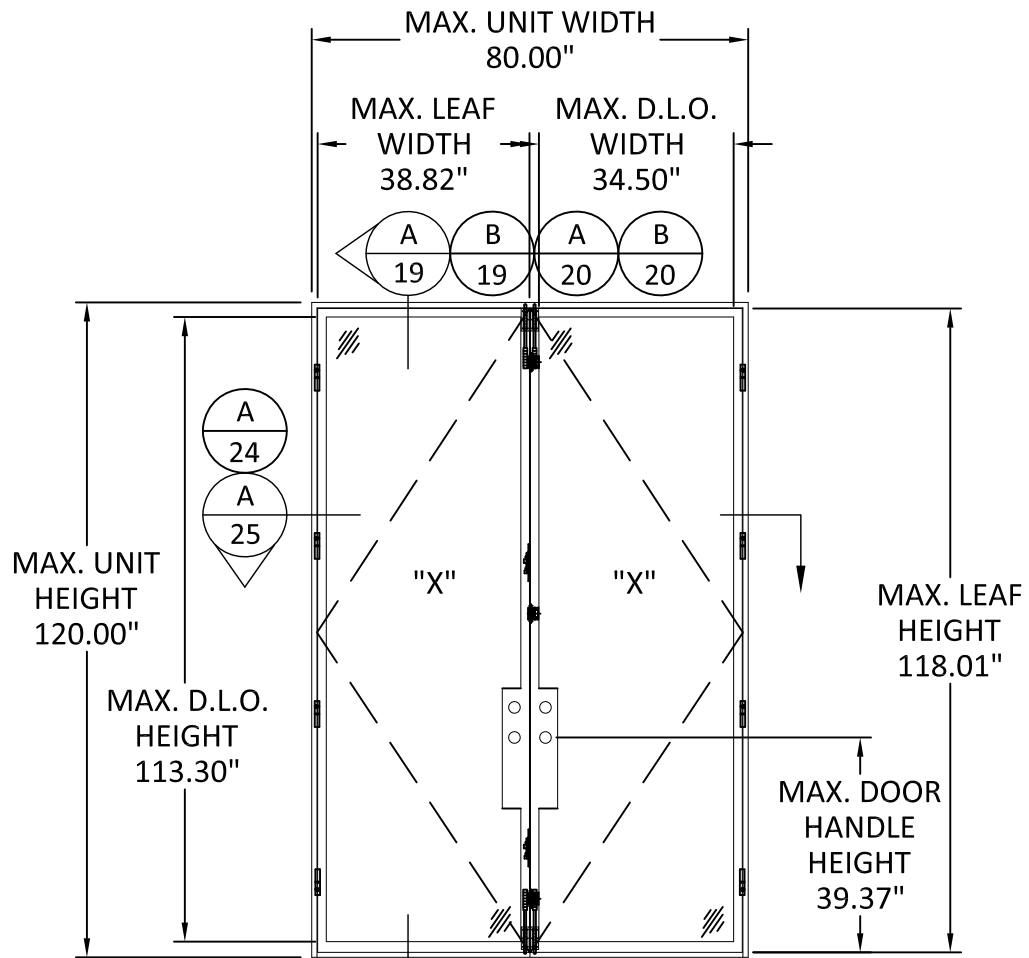
SCALE: **NTS**

DWG. #: **PCI016**

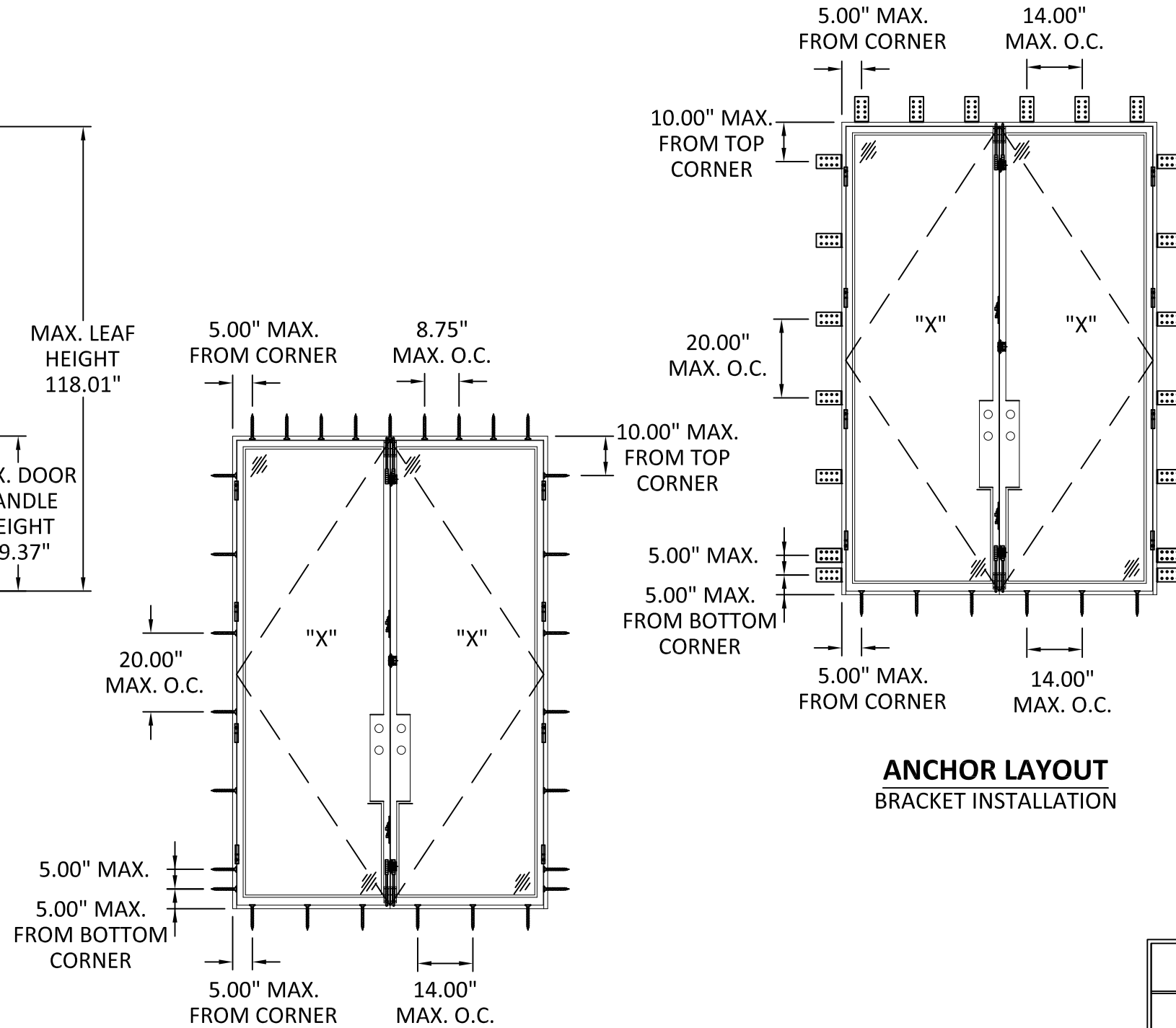
SHEET:

2

OF 32

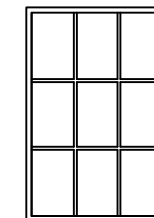


ELEVATION



**ANCHOR LAYOUT
THROUGH FRAME
INSTALLATION**

**ANCHOR LAYOUT
BRACKET INSTALLATION**



SIMULATED DIVIDED LITE
ALSO QUALIFIED

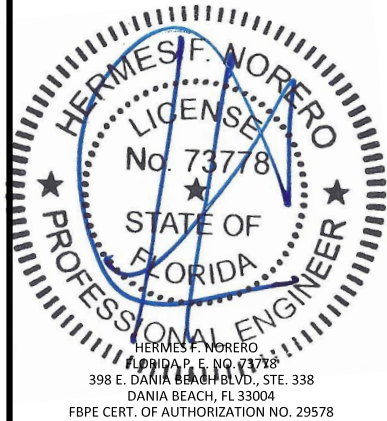
s:\projects\palmcity\ironworks\inc\fbc-19-1124-fbc-submittal-0116749-fbc-submittal-0127071-0127072-0127073-0127074-0127075-mullion\dwgs\urban door\new package\pci016.dwg 2/13/2023 4:28 PM

TITLE: URBAN SERIES OUTSWING / INSWING
NARROW STILE DOOR
(WZ3) (IMPACT)
ELEVATION & ANCHOR LAYOUT

PREPARED BY:
BUILDING DROPS, INC.
398 E. DANIA BEACH BLVD., STE. 338
DANIA BEACH, FL 33004
PH: (954) 399-8478
FAX: (954) 744-4738
WEB: www.buildingdrops.com

REMARKS	BY	DATE

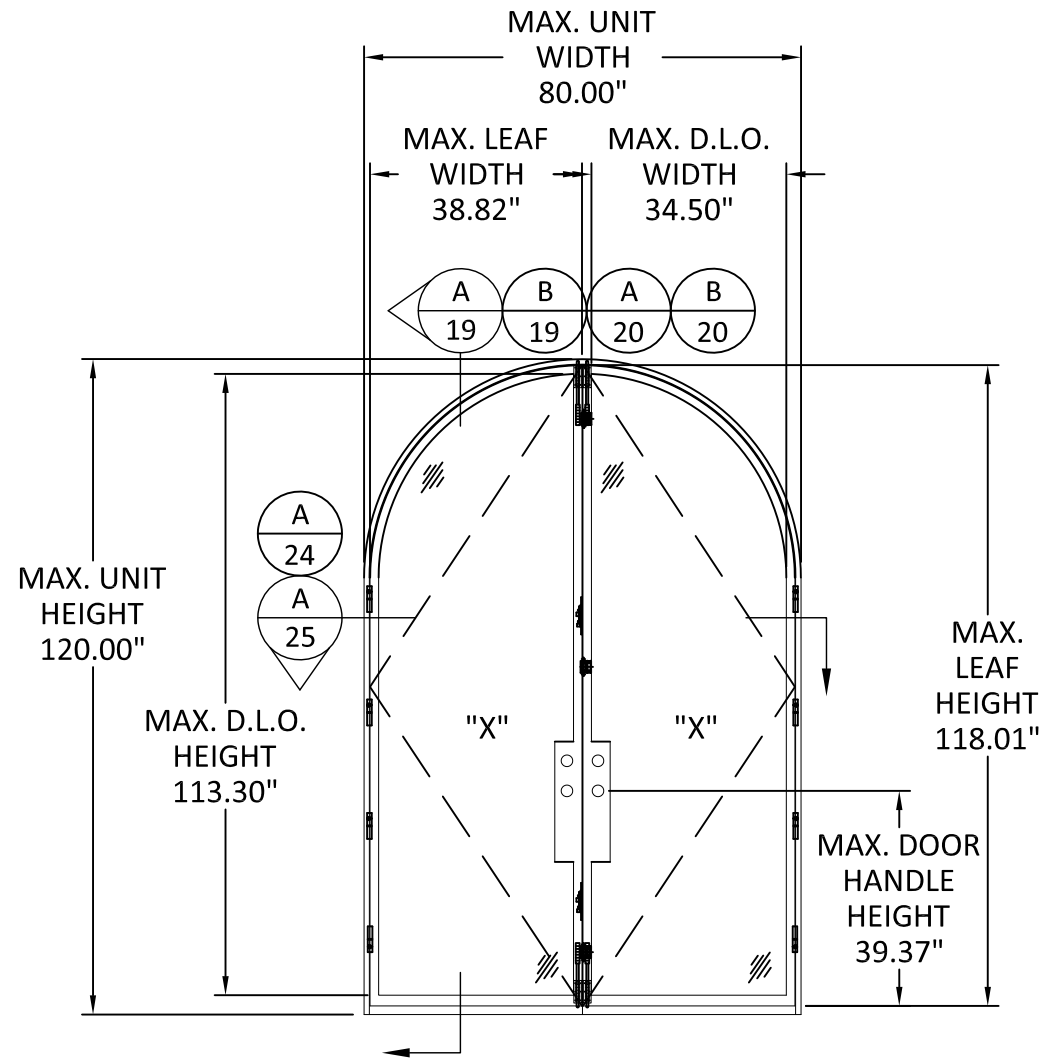
THE INSTALLATION DETAILS DESCRIBED HEREIN ARE GENERIC AND MAY NOT REFLECT ACTUAL CONDITIONS FOR A SPECIFIC SITE. IF SITE CONDITIONS CAUSE INSTALLATION TO DEVIATE FROM THE REQUIREMENTS DETAILED HEREIN, A LICENSED ENGINEER OR ARCHITECT SHALL PREPARE SITE SPECIFIC DOCUMENTS FOR USE WITH THIS DOCUMENT.



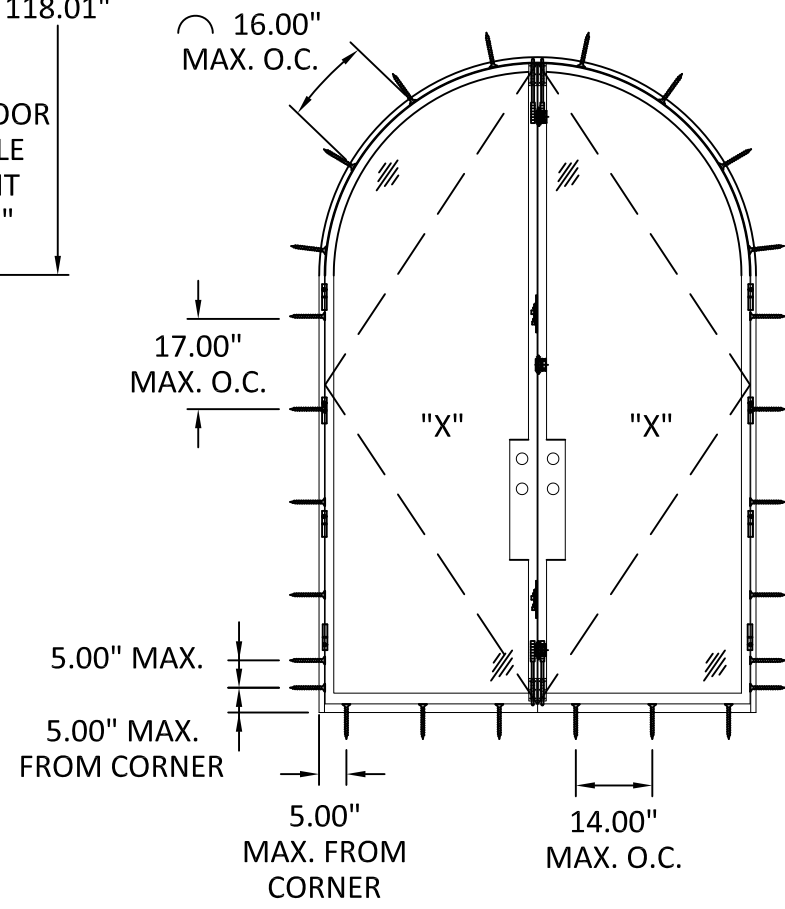
FL27071

DATE: **01.16.23**
DWG. BY: **MS** CHK. BY: **HFN**
SCALE: **NTS**
DWG. #: **PCI016**
SHEET:

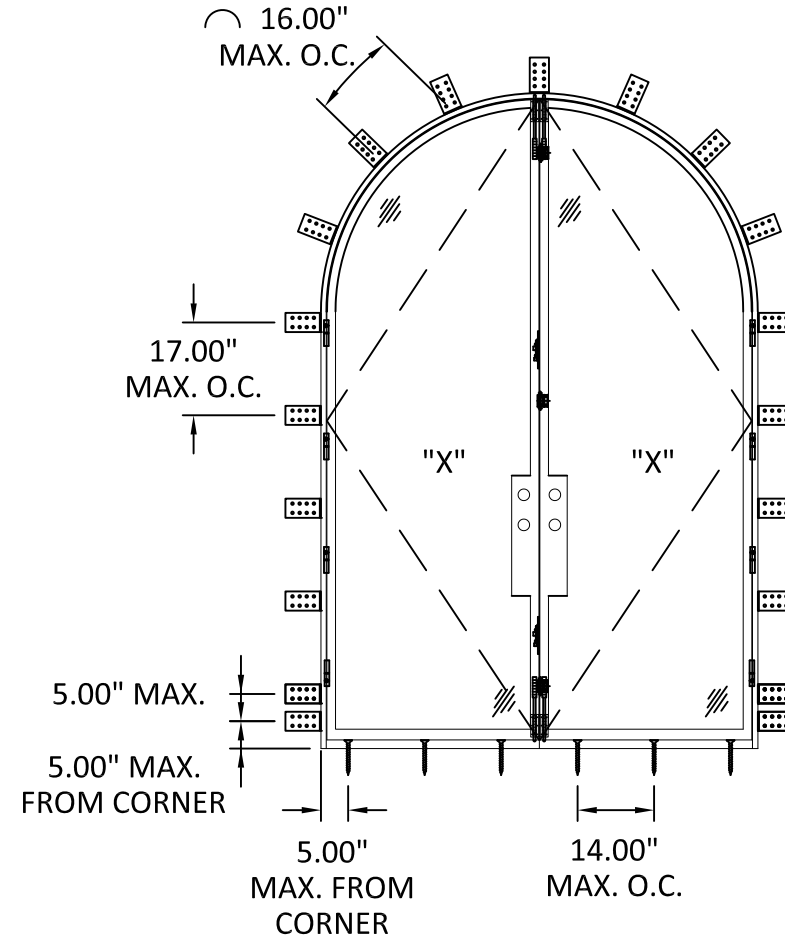
3



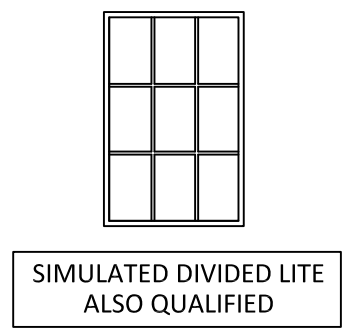
ELEVATION



ANCHOR LAYOUT THROUGH FRAME INSTALLATION



ANCHOR LAYOUT BRACKET INSTALLATION



2/13/2023 4:28 PM s:\projects\palmcity\ironworks\inc\fbc-19-1124-fbc-submittal-116749-fbc-submittal-1127071-1127072-1127073-1127074-1127075-mullion\dwgs\urban door\new package\pci016.dwg

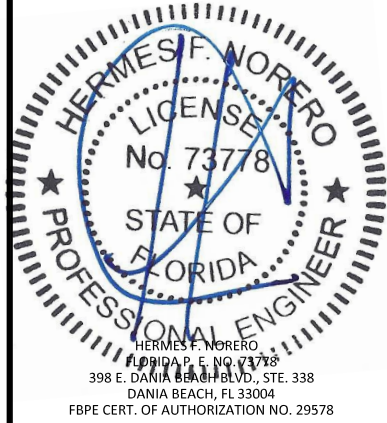
TITLE: URBAN SERIES OUTSWING / INSWING
NARROW STILE DOOR
(WZ3) (IMPACT)

ELEVATION & ANCHOR LAYOUT

PREPARED BY:
BUILDING DROPS, INC.
398 E. DANIA BEACH BLVD., STE. 338
DANIA BEACH, FL 33004
PH: (954) 399-8478
FAX: (954) 744-4738
WEB: www.buildingdrops.com

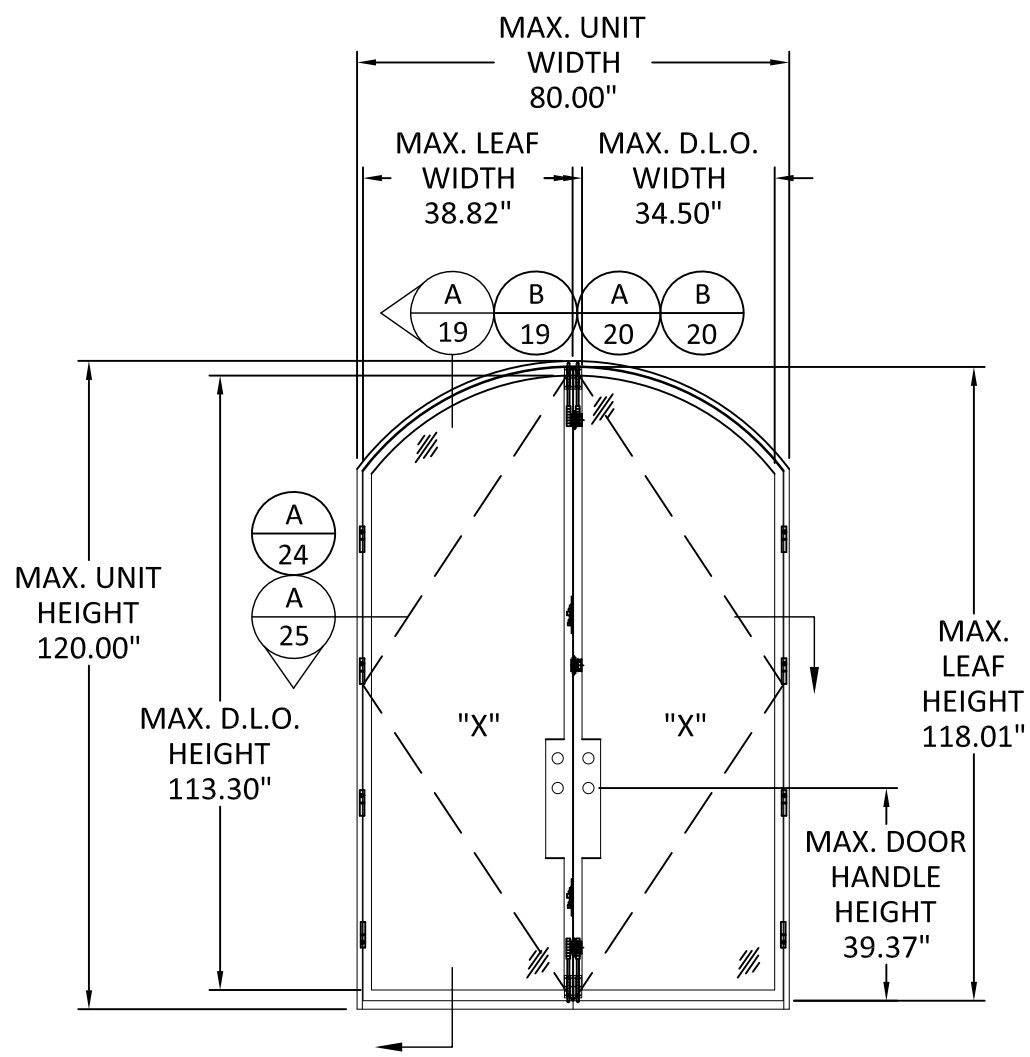
REMARKS	BY	DATE

THE INSTALLATION DETAILS DESCRIBED HEREIN ARE GENERIC AND MAY NOT REFLECT ACTUAL CONDITIONS FOR A SPECIFIC SITE. IF SITE CONDITIONS CAUSE INSTALLATION TO DEVIATE FROM THE REQUIREMENTS DETAILED HEREIN, A LICENSED ENGINEER OR ARCHITECT SHALL PREPARE SITE SPECIFIC DOCUMENTS FOR USE WITH THIS DOCUMENT.

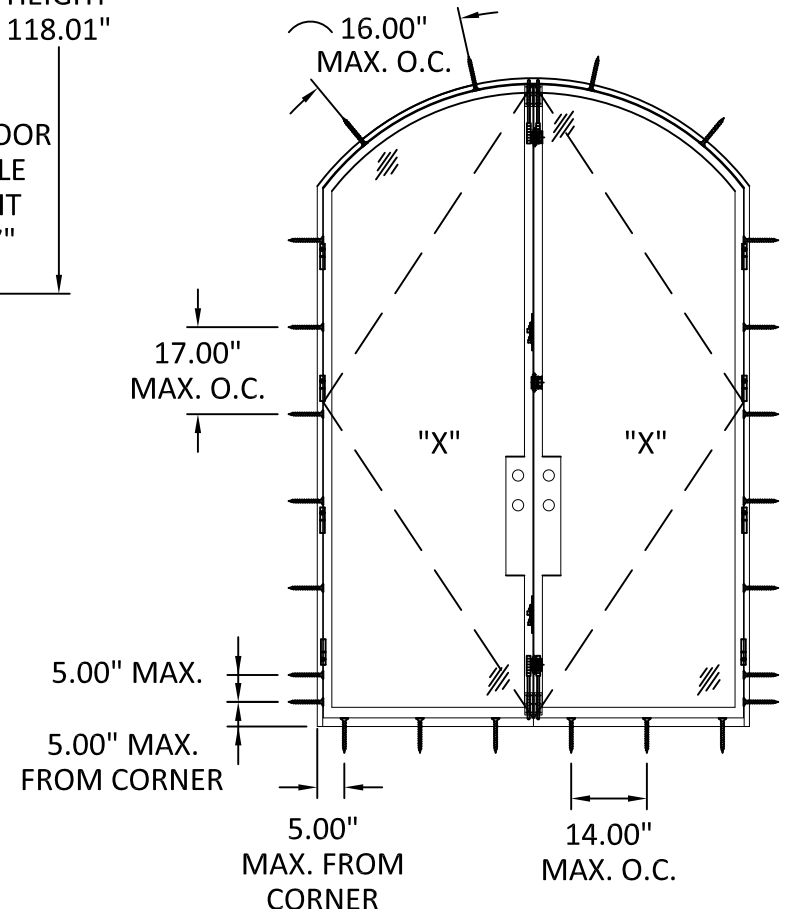


FL27071

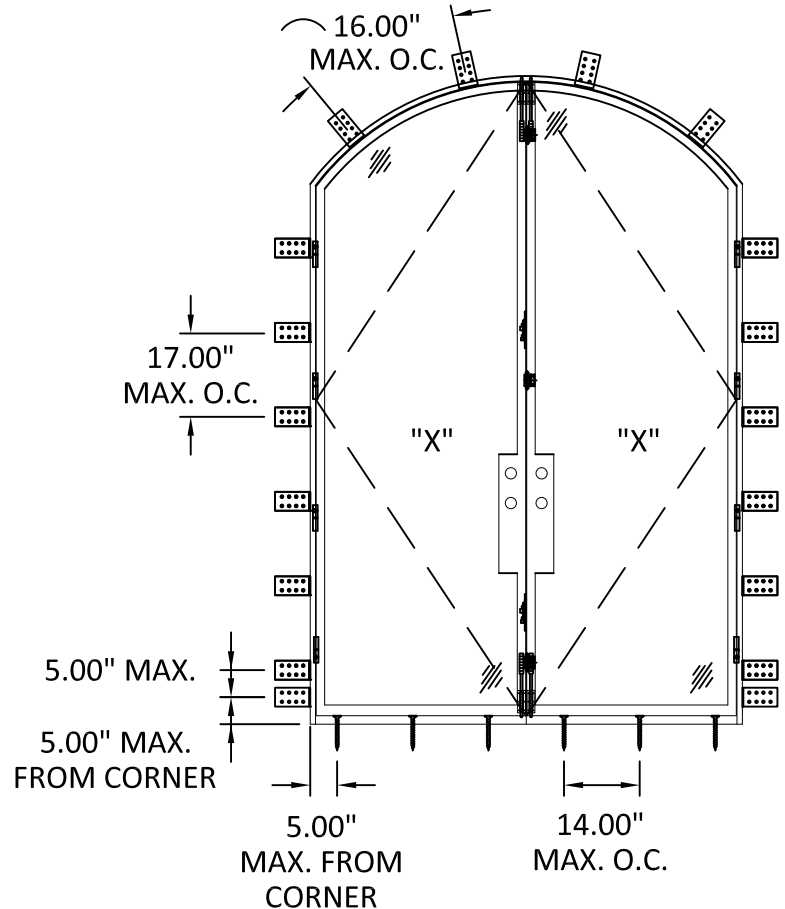
DATE:	01.16.23
DWG. BY:	MS
CHK. BY:	HFN
SCALE:	NTS
DWG. #:	PCI016
SHEET:	4



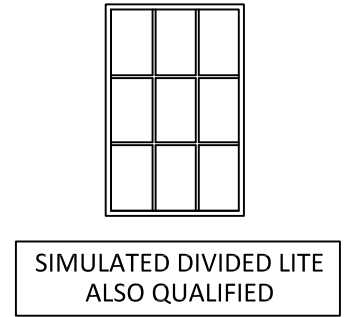
ELEVATION



ANCHOR LAYOUT
THROUGH FRAME
INSTALLATION



ANCHOR LAYOUT
BRACKET INSTALLATION



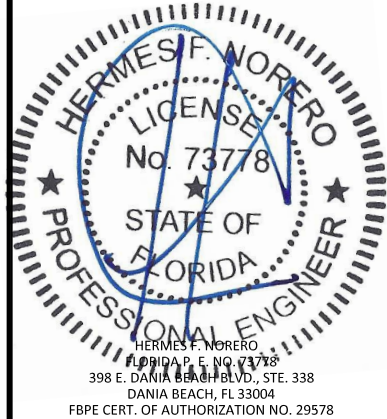
2/13/2023 4:28 PM s:\projects\palmcity\ironworks\inc\lbc-19-1124-fbc-submittal-116749-fbc-submittal-1127071, 1127072, 1127073, 1127074, 1127075, mullion\dwg\urban door\new package\pci016.dwg

TITLE: URBAN SERIES OUTSWING / INSWING
NARROW STILE DOOR
(WZ3) (IMPACT)
ELEVATION & ANCHOR LAYOUT

PREPARED BY:
BUILDING DROPS, INC.
398 E. DANIA BEACH BLVD., STE. 338
DANIA BEACH, FL 33004
PH: (954)399-8478
FAX: (954)744-4738
WEB: www.buildingdrops.com

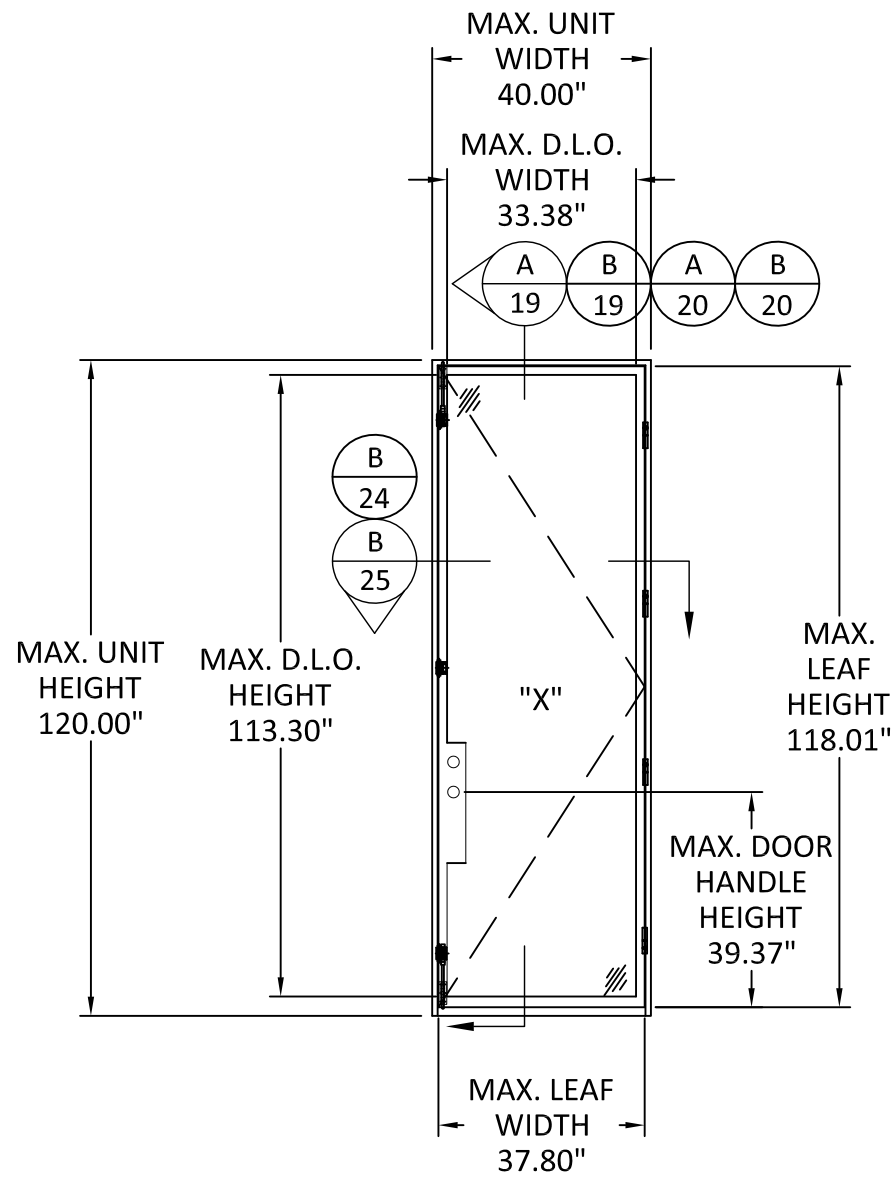
REMARKS	BY	DATE

THE INSTALLATION DETAILS DESCRIBED HEREIN ARE GENERIC AND MAY NOT REFLECT ACTUAL CONDITIONS FOR A SPECIFIC SITE. IF SITE CONDITIONS CAUSE INSTALLATION TO DEVIATE FROM THE REQUIREMENTS DETAILED HEREIN, A LICENSED ENGINEER OR ARCHITECT SHALL PREPARE SITE SPECIFIC DOCUMENTS FOR USE WITH THIS DOCUMENT.

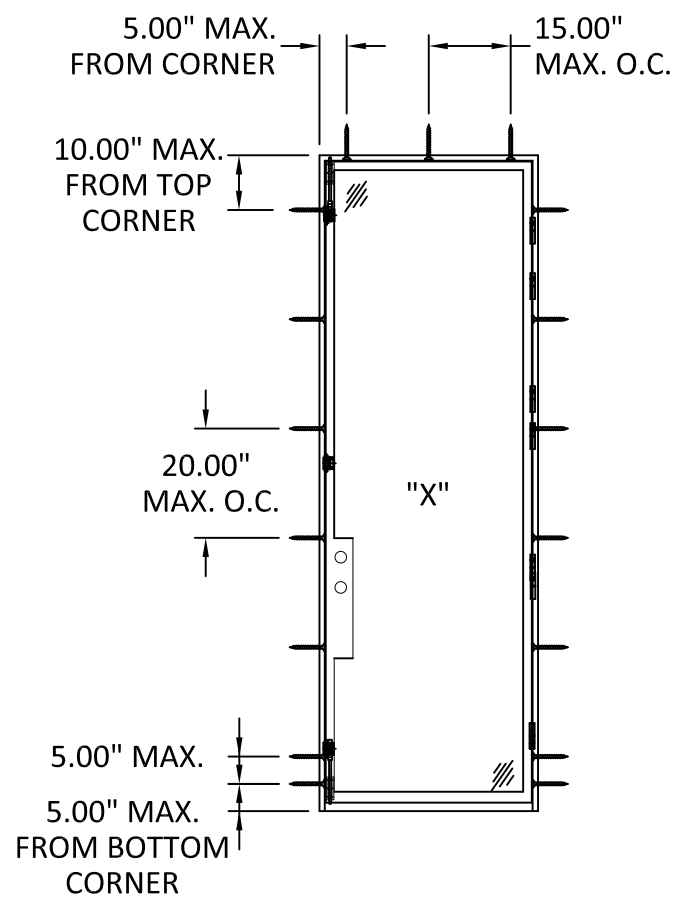


FL27071

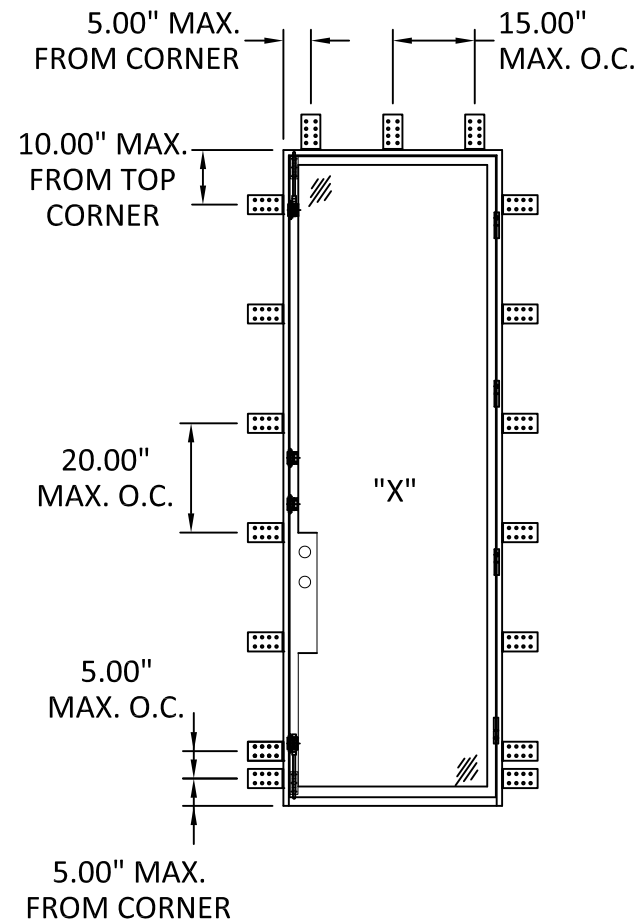
DATE:	01.16.23	
DWG. BY:	MS	CHK. BY: HFN
SCALE:	NTS	
DWG. #:	PCI016	
SHEET:	5	



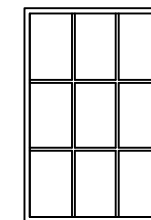
ELEVATION



ANCHOR LAYOUT
THROUGH FRAME
INSTALLATION



ANCHOR LAYOUT
BRACKET INSTALLATION



SIMULATED DIVIDED LITE
ALSO QUALIFIED

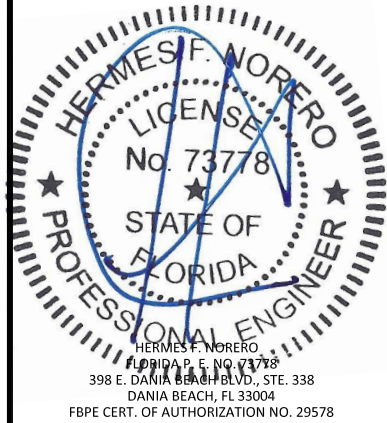
s:\projects\palmcity\ironworks, inc\fbc-19-1124-fbc-submittal-1116749-fbc-submittal-1127071, 1127072, 1127073, 1127074, 1127075, mullion\dwg\urban door\new package\pci016.dwg 2/13/2023 4:28 PM

TITLE: URBAN SERIES OUTSWING / INSWING
NARROW STILE DOOR
(WZ3) (IMPACT)
ELEVATION & ANCHOR LAYOUT

PREPARED BY:
BUILDING DROPS, INC.
398 E. DANIA BEACH BLVD., STE. 338
DANIA BEACH, FL 33004
PH: (954)399-8478
FAX: (954)744-4738
WEB: www.buildingdrops.com

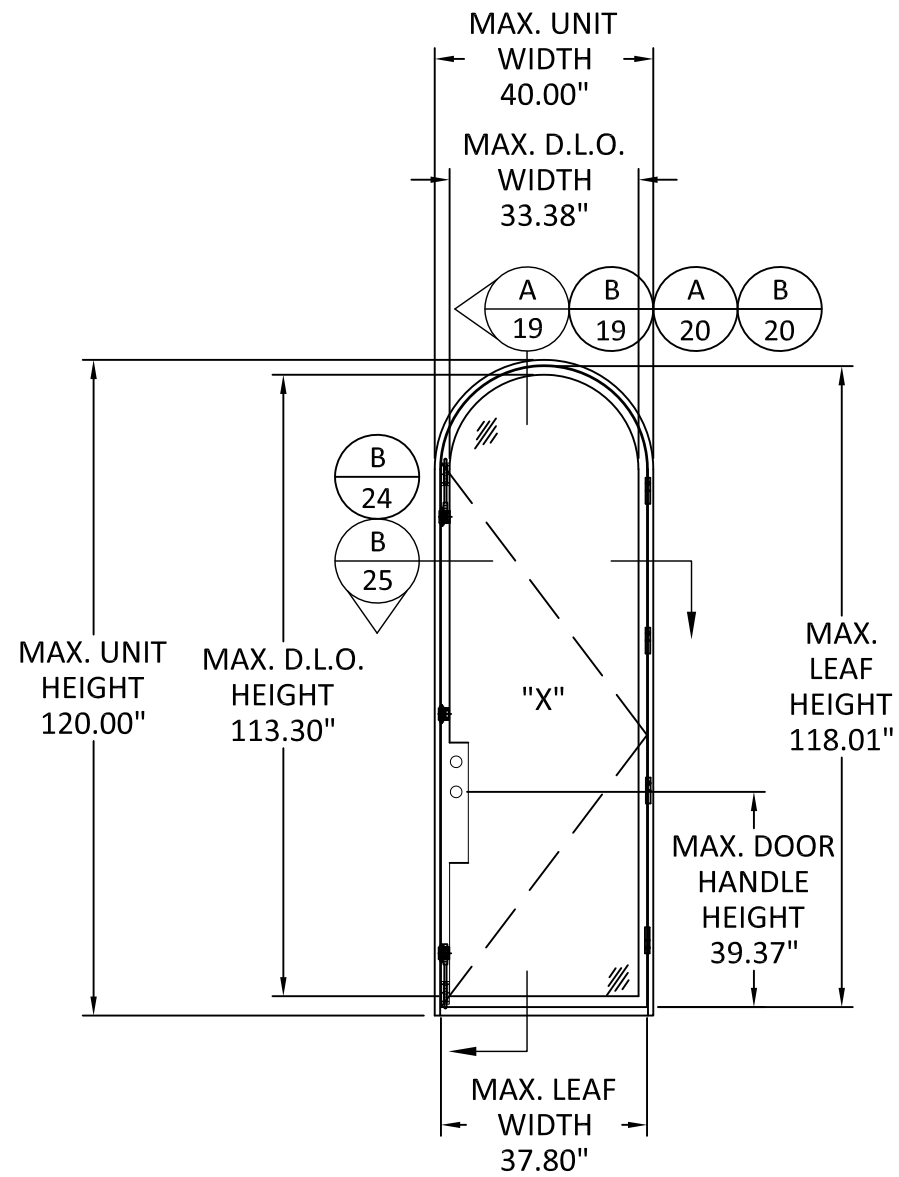
REMARKS	BY	DATE

THE INSTALLATION DETAILS DESCRIBED HEREIN ARE GENERIC AND MAY NOT REFLECT ACTUAL CONDITIONS FOR A SPECIFIC SITE. IF SITE CONDITIONS CAUSE INSTALLATION TO DEVIATE FROM THE REQUIREMENTS DETAILED HEREIN, A LICENSED ENGINEER OR ARCHITECT SHALL PREPARE SITE SPECIFIC DOCUMENTS FOR USE WITH THIS DOCUMENT.

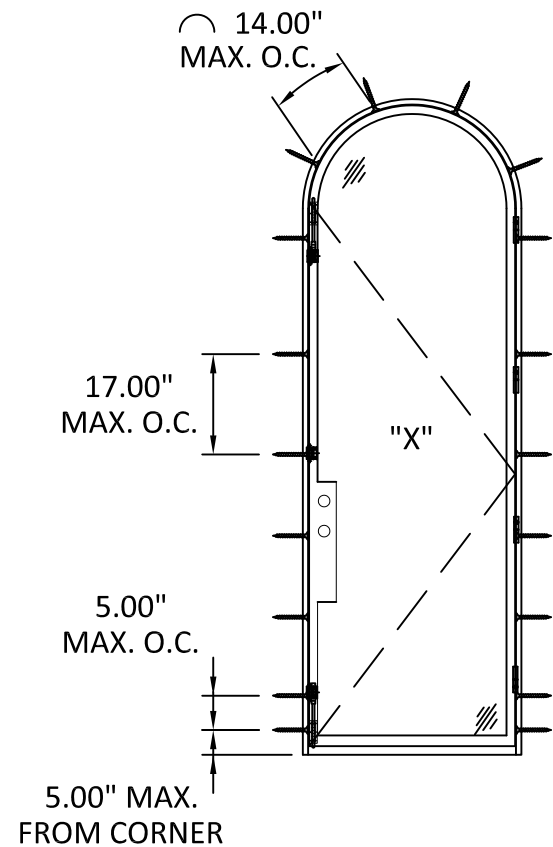


FL27071

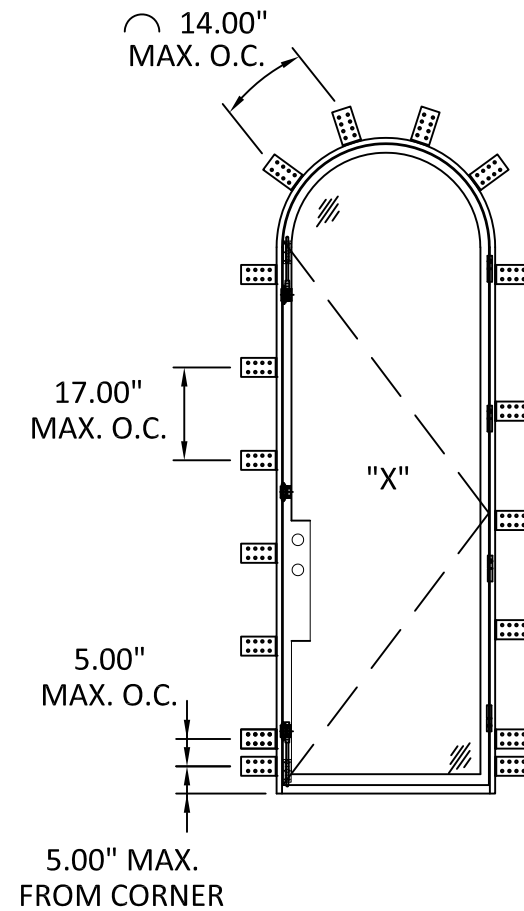
DATE:	01.16.23
DWG. BY:	MS
CHK. BY:	HFN
SCALE:	NTS
DWG. #:	PCI016
SHEET:	6



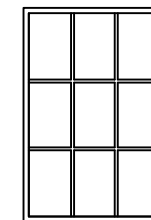
ELEVATION



ANCHOR LAYOUT
THROUGH FRAME
INSTALLATION



ANCHOR LAYOUT
BRACKET INSTALLATION



SIMULATED DIVIDED LITE
ALSO QUALIFIED

s:\projects\palmcity\ironworks, inc\fbc-19-1124-fbc-submittal-1116749-fbc-submittal-1127071, 1127072, 1127073, 1127074, 1127075, nullion\dwg\urban door\new package\pci016.dwg 2/13/2023 4:29 PM

TITLE:
URBAN SERIES OUTSWING / INSWING
NARROW STILE DOOR
(WZ3) (IMPACT)

ELEVATION & ANCHOR LAYOUT

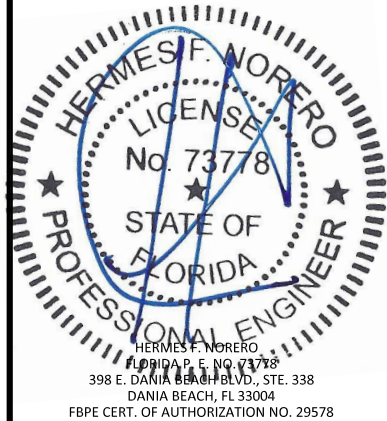
PREPARED BY:
BUILDING DROPS, INC.

398 E. DANIA BEACH BLVD., STE. 338
DANIA BEACH, FL 33004
PH: (954)399-8478
FAX: (954)744-4738
WEB: www.buildingdrops.com



REMARKS	BY	DATE

THE INSTALLATION DETAILS DESCRIBED HEREIN ARE GENERIC AND MAY NOT REFLECT ACTUAL CONDITIONS FOR A SPECIFIC SITE. IF SITE CONDITIONS CAUSE INSTALLATION TO DEVIATE FROM THE REQUIREMENTS DETAILED HEREIN, A LICENSED ENGINEER OR ARCHITECT SHALL PREPARE SITE SPECIFIC DOCUMENTS FOR USE WITH THIS DOCUMENT.



FL27071

DATE: **01.16.23**

DWG. BY: **MS** CHK. BY: **HFN**

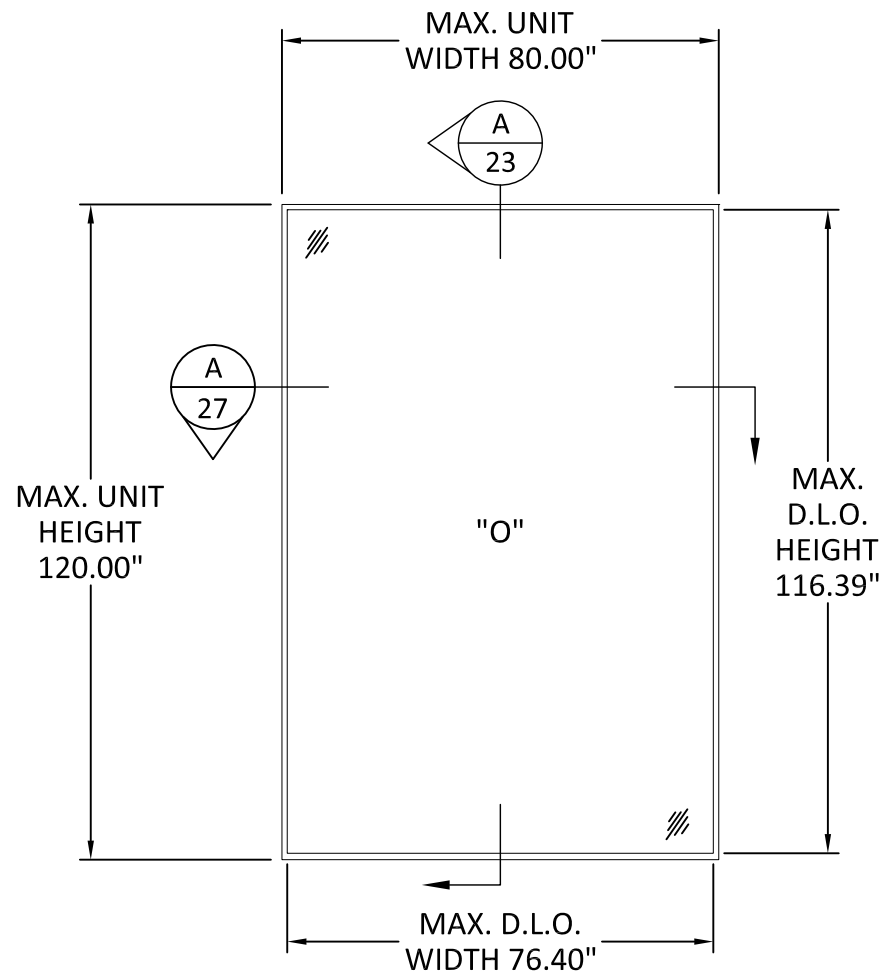
SCALE: **NTS**

DWG. #: **PCI016**

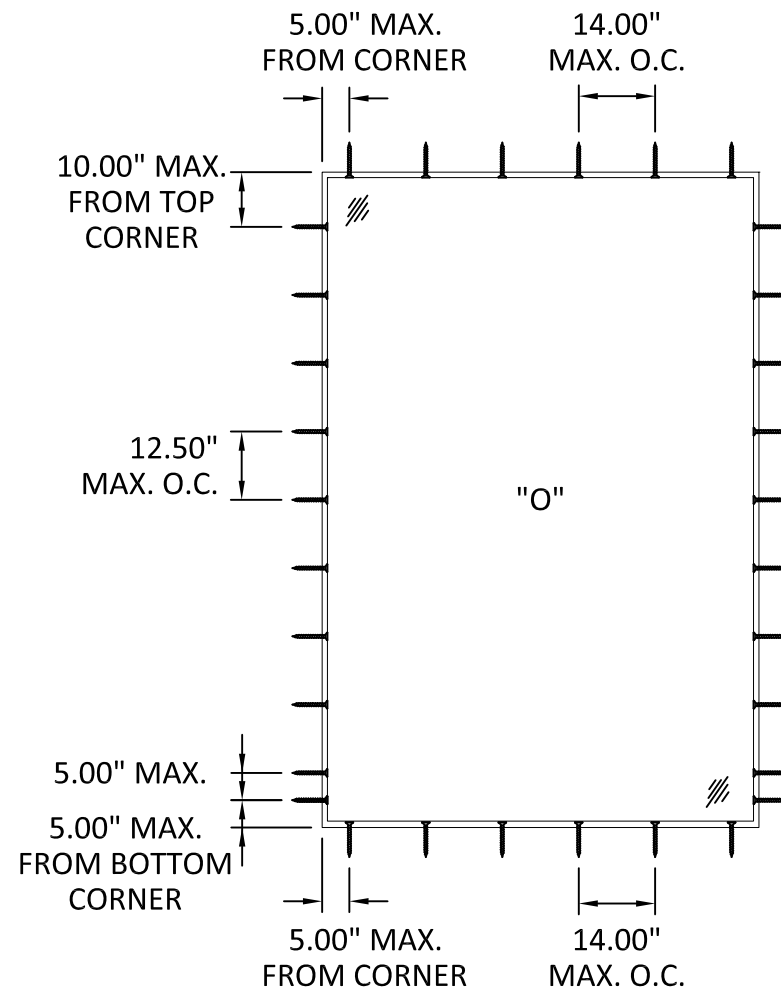
SHEET:

7

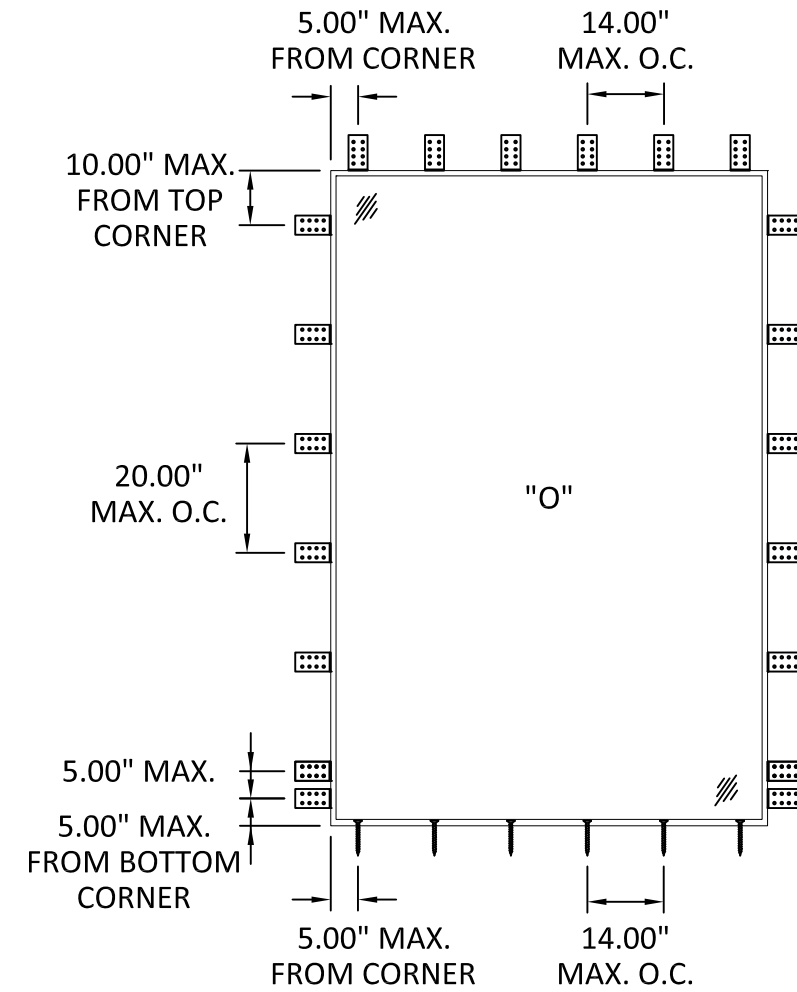
OF 32



ELEVATION



**ANCHOR LAYOUT
THROUGH FRAME
INSTALLATION**


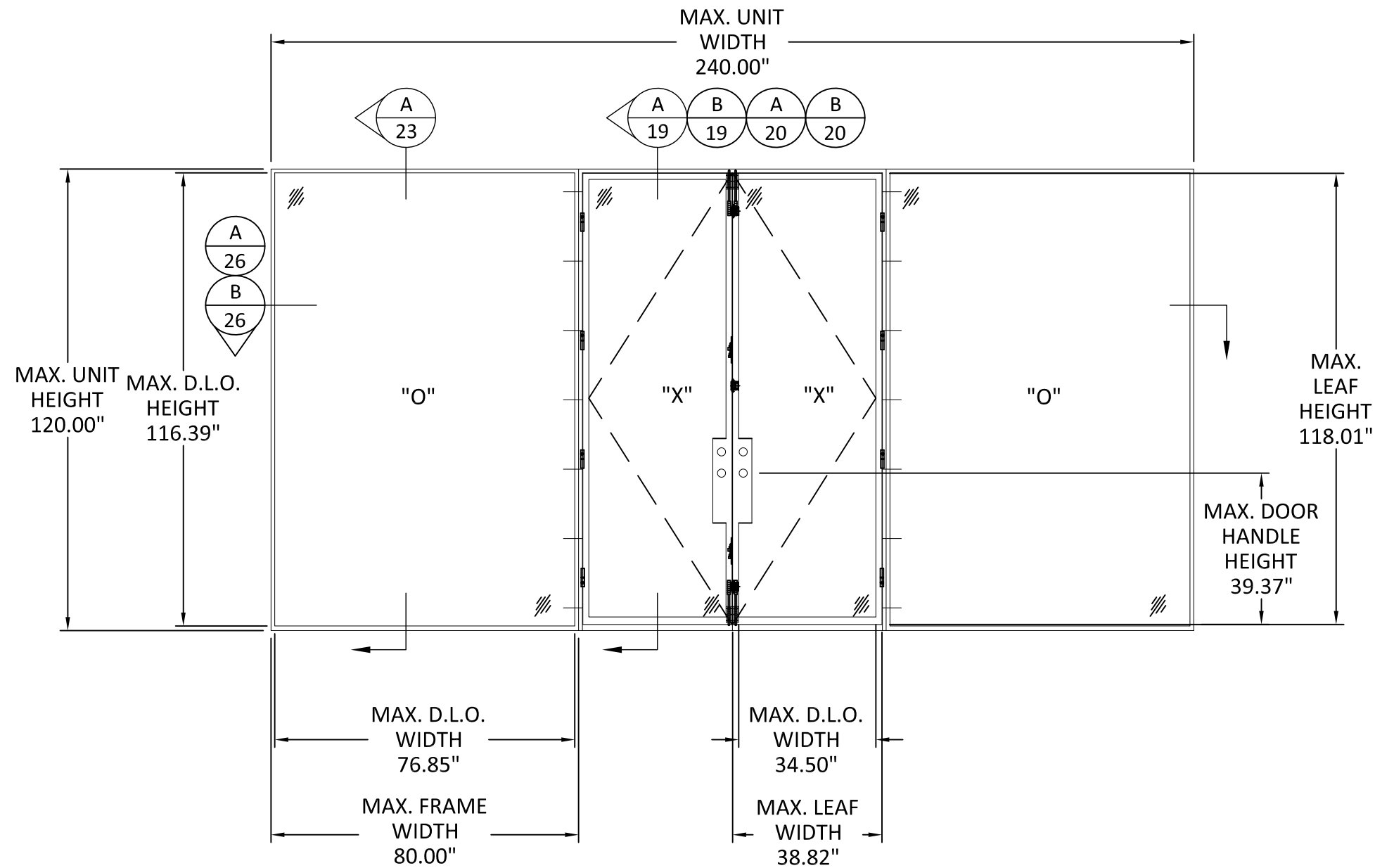


**ANCHOR LAYOUT
BRACKET INSTALLATION**

s:\projects\palmcity\ironworks\inc\fbc-19-1124-fbc-submittal-1116749-fbc-submittal-1127071-1127072-1127073-1127074-1127075-mullion\dwgs\urban door\new package\pci016.dwg 2/13/2023 4:29 PM

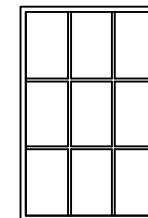
TITLE: URBAN SERIES OUTSWING / INSWING NARROW STILE DOOR (WZ3) (IMPACT) ELEVATION

PREPARED BY: BUILDING DROPS, INC.
398 E. DANIA BEACH BLVD., STE. 338
DANIA BEACH, FL 33004
PH: (954)399-8478
FAX: (954)744-4738
WEB: www.buildingdrops.com

ELEVATION

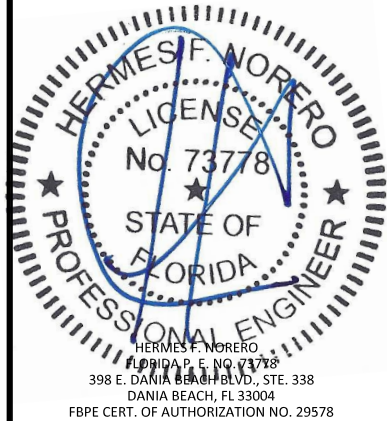
SINGLE DOOR WITH SIDELITE(S) ALSO QUALIFIED



SIMULATED DIVIDED LITE ALSO QUALIFIED

REMARKS	BY	DATE

THE INSTALLATION DETAILS DESCRIBED HEREIN ARE GENERIC AND MAY NOT REFLECT ACTUAL CONDITIONS FOR A SPECIFIC SITE. IF SITE CONDITIONS CAUSE INSTALLATION TO DEVIATE FROM THE REQUIREMENTS DETAILED HEREIN, A LICENSED ENGINEER OR ARCHITECT SHALL PREPARE SITE SPECIFIC DOCUMENTS FOR USE WITH THIS DOCUMENT.

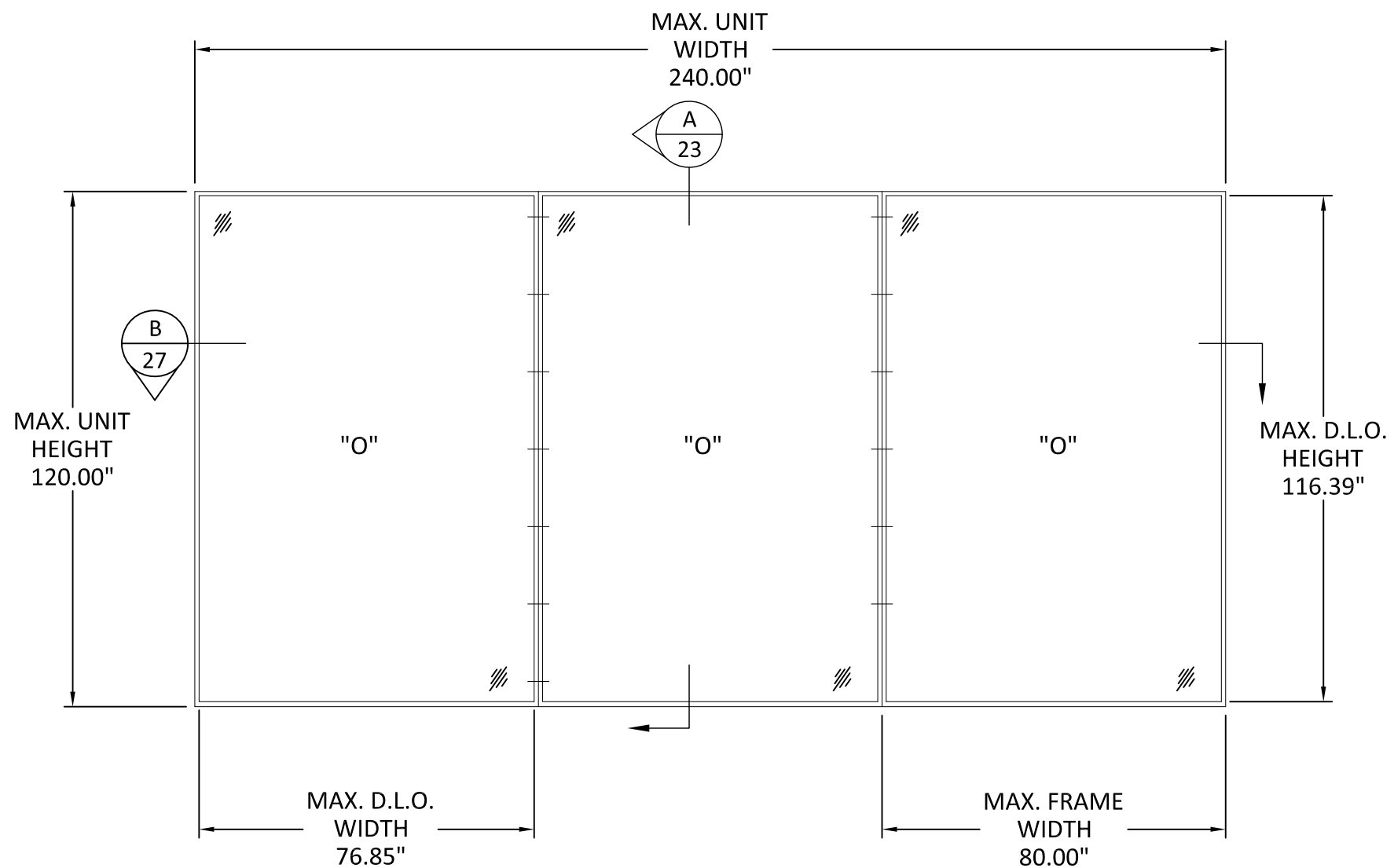


FL27071

DATE:	01.16.23
DWG. BY:	MS
CHK. BY:	HFN
SCALE:	NTS
DWG. #:	PCI016
SHEET:	8

TITLE:
URBAN SERIES OUTSWING / INSWING
NARROW STILE DOOR
(WZ3) (IMPACT)
ELEVATION

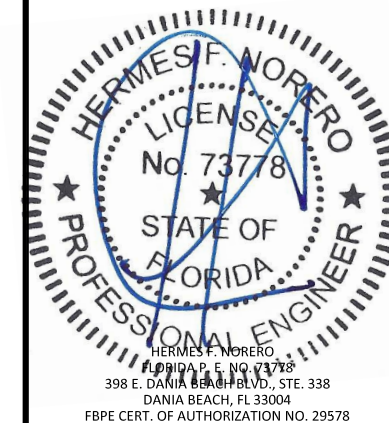
PREPARED BY:
B.D.
BUILDING DROPS
BUILDING DROPS, INC.
398 E. DANIA BEACH BLVD., STE. 338
DANIA BEACH, FL 33004
PH: (954)399-8478
FAX: (954)744-4738
WEB: www.buildingdrops.com



ELEVATION

SEE ANCHOR LAYOUT PAGES 10 & 11

THE INSTALLATION DETAILS DESCRIBED HEREIN ARE GENERIC AND MAY NOT REFLECT ACTUAL CONDITIONS FOR A SPECIFIC SITE. IF SITE CONDITIONS CAUSE INSTALLATION TO DEVIATE FROM THE REQUIREMENTS DETAILED HEREIN, A LICENSED ENGINEER OR ARCHITECT SHALL PREPARE SITE SPECIFIC DOCUMENTS FOR USE WITH THIS DOCUMENT.



FL27071

DATE: **01.16.23**

DWG. BY:
MS

CHK. BY:
HFN

SCALE: **NTS**

DWG. #: **PCI016**

SHEET:

9

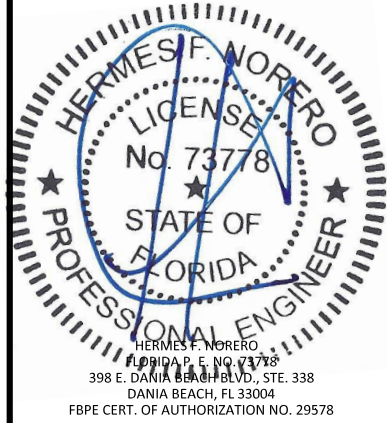
TITLE:
URBAN SERIES OUTSWING / INSWING
NARROW STILE DOOR
(WZ3) (IMPACT)
ANCHOR LAYOUT

PREPARED BY:
BUILDING DROPS, INC.
398 E. DANIA BEACH BLVD., STE. 338
DANIA BEACH, FL 33004
PH: (954)399-8478
FAX: (954)744-4738
WEB: www.buildingdrops.com



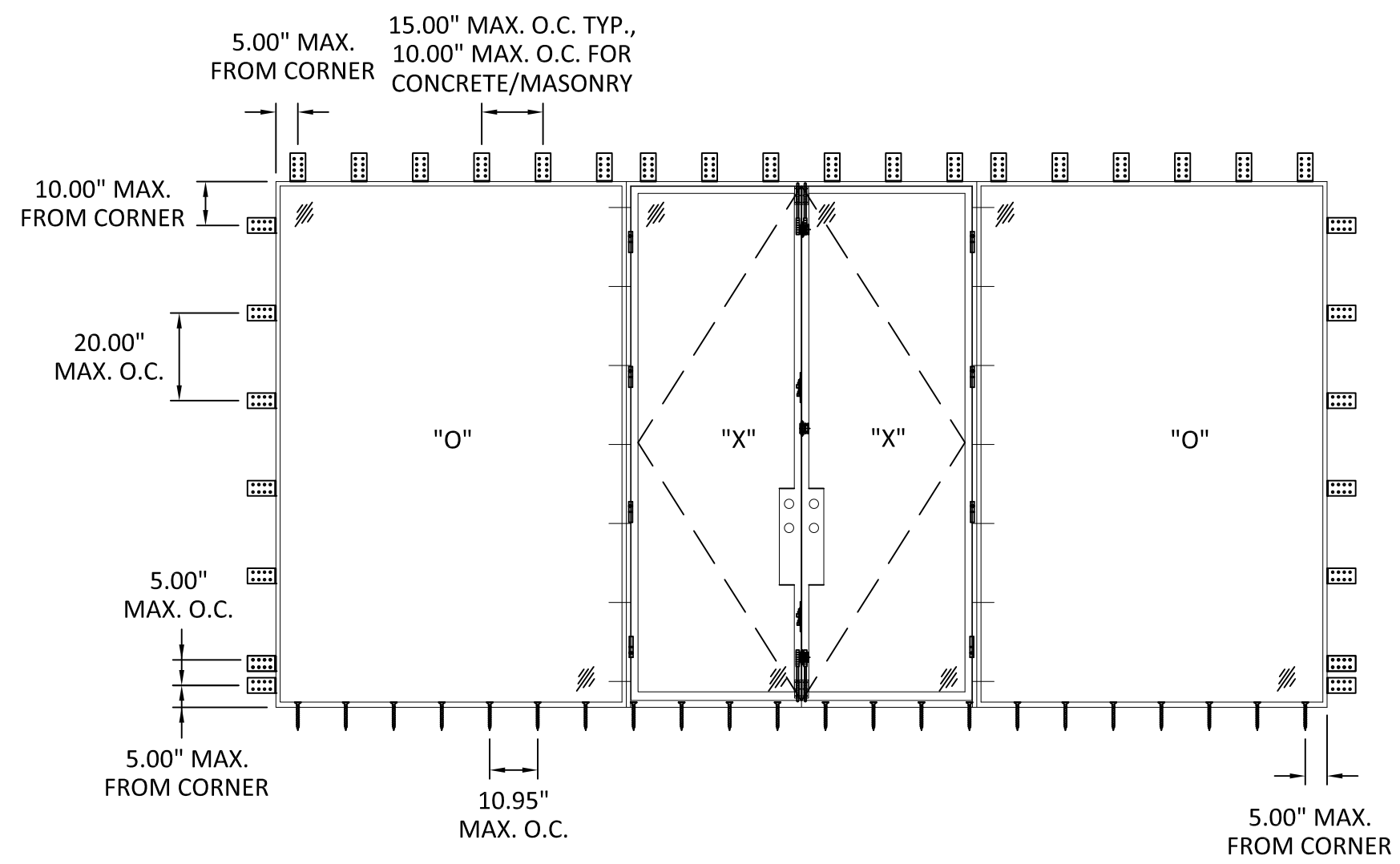
REMARKS	BY	DATE

THE INSTALLATION DETAILS DESCRIBED HEREIN ARE GENERIC AND MAY NOT REFLECT ACTUAL CONDITIONS FOR A SPECIFIC SITE. IF SITE CONDITIONS CAUSE INSTALLATION TO DEVIATE FROM THE REQUIREMENTS DETAILED HEREIN, A LICENSED ENGINEER OR ARCHITECT SHALL PREPARE SITE SPECIFIC DOCUMENTS FOR USE WITH THIS DOCUMENT.

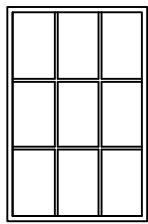


FL27071

DATE:	01.16.23
DWG. BY:	MS
CHK. BY:	HFN
SCALE:	NTS
DWG. #:	PCI016
SHEET:	10



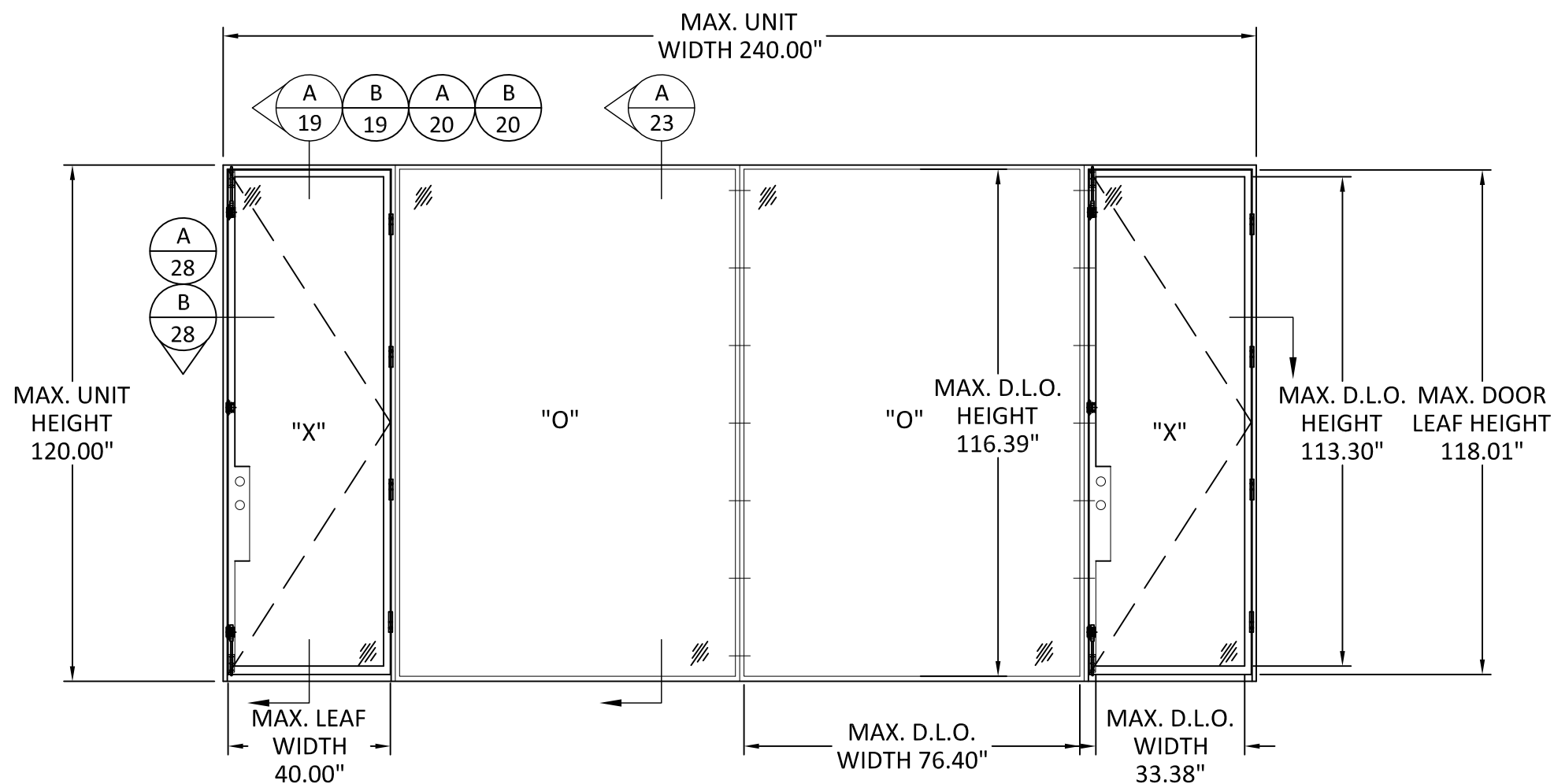
ANCHOR LAYOUT
BRACKET INSTALLATION


SIMULATED DIVIDED LITE
ALSO QUALIFIED

s:\projects\palmcity\ironworks\inc\fbc-19-1124-fbc-submittal-fl16749-fl27071-fl27072-fl27073-fl27074-fl27075-mullion\dwgs\urban-door\new-package\pci016.dwg 2/13/2023 4:29 PM

TITLE: URBAN SERIES OUTSWING / INSWING
NARROW STILE DOOR
(WZ3) (IMPACT)
ELEVATION

PREPARED BY:
BUILDING DROPS, INC.
398 E. DANIA BEACH BLVD., STE. 338
DANIA BEACH, FL 33004
PH: (954)399-8478
FAX: (954)744-4738
WEB: www.buildingdrops.com

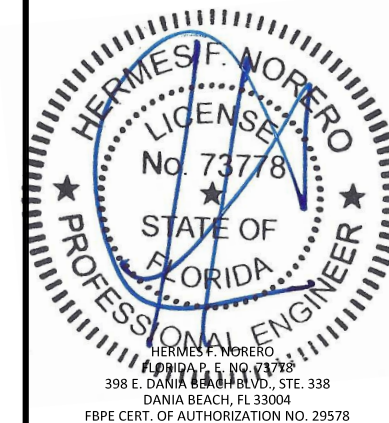


ELEVATION

REMARKS

REMARKS	BY	DATE

THE INSTALLATION DETAILS DESCRIBED HEREIN ARE GENERIC AND MAY NOT REFLECT ACTUAL CONDITIONS FOR A SPECIFIC SITE. IF SITE CONDITIONS CAUSE INSTALLATION TO DEVIATE FROM THE REQUIREMENTS DETAILED HEREIN, A LICENSED ENGINEER OR ARCHITECT SHALL PREPARE SITE SPECIFIC DOCUMENTS FOR USE WITH THIS DOCUMENT.



FL27071

DATE: **01.16.23**

DWG. BY: **MS**

CHK. BY: **HFN**

SCALE: **NTS**

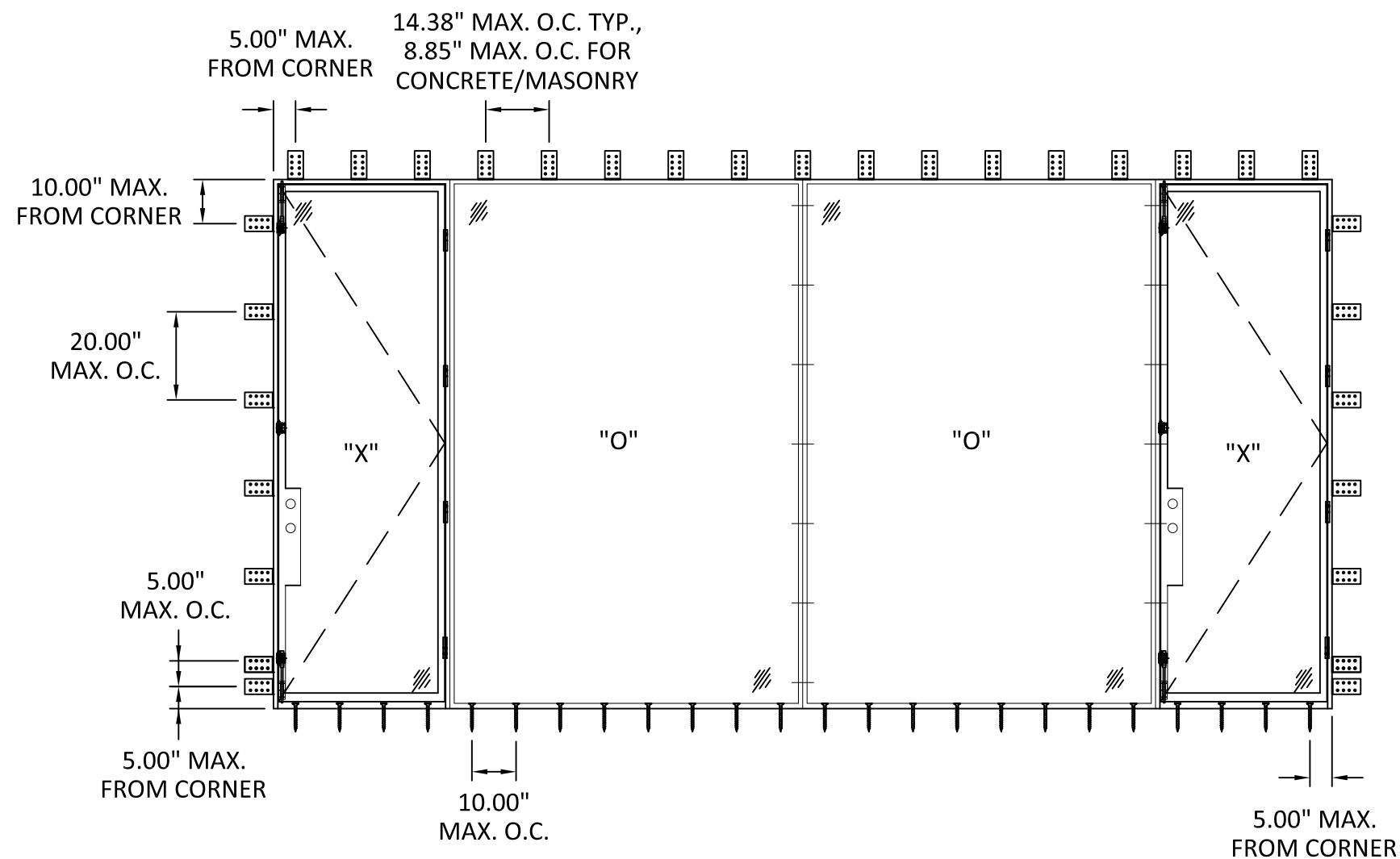
DWG. #: **PCI016**

SHEET: **12**

OF 32

TITLE:
URBAN SERIES OUTSWING / INSWING
NARROW STILE DOOR
(WZ3) (IMPACT)
ANCHOR LAYOUT

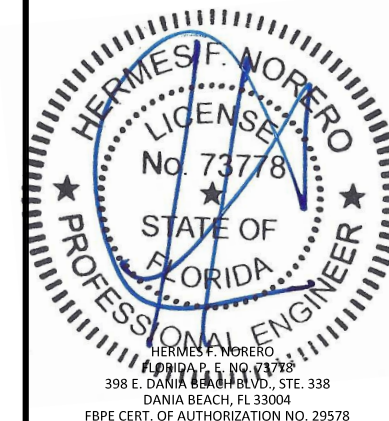
PREPARED BY:
BUILDING DROPS, INC.
398 E. DANIA BEACH BLVD., STE. 338
DANIA BEACH, FL 33004
PH: (954)399-8478
FAX: (954)744-4738
WEB: www.buildingdrops.com



ANCHOR LAYOUT
BRACKET INSTALLATION

REMARKS	BY	DATE

THE INSTALLATION DETAILS DESCRIBED HEREIN ARE GENERIC AND MAY NOT REFLECT ACTUAL CONDITIONS FOR A SPECIFIC SITE. IF SITE CONDITIONS CAUSE INSTALLATION TO DEVIATE FROM THE REQUIREMENTS DETAILED HEREIN, A LICENSED ENGINEER OR ARCHITECT SHALL PREPARE SITE SPECIFIC DOCUMENTS FOR USE WITH THIS DOCUMENT.



FL27071

DATE: **01.16.23**

DWG. BY:
MS

CHK. BY:
HFN

SCALE: **NTS**

DWG. #: **PCI016**

SHEET:

13

OF 32

s:\projects\palmcity\ironworks\inc\fbc-19-1124-fbc-submittal-116749-f127071-f127072-f127073-f127074-f127075-mullion\dwgs\urban-door\new-package\pci016.dwg 2/13/2023 4:29 PM

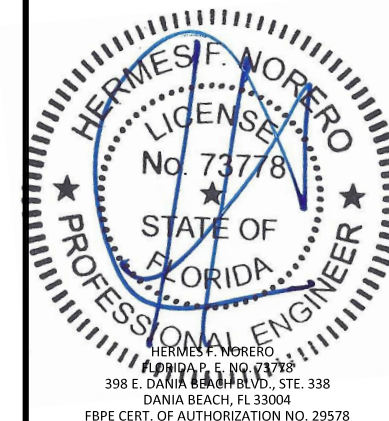
TITLE:
URBAN SERIES OUTSWING / INSWING
NARROW STILE DOOR
(WZ3) (IMPACT)
ANCHOR LAYOUT

PREPARED BY:
BUILDING DROPS, INC.
398 E. DANIA BEACH BLVD., STE. 338
DANIA BEACH, FL 33004
PH: (954)399-8478
FAX: (954)744-4738
WEB: www.buildingdrops.com



REMARKS	BY	DATE

THE INSTALLATION DETAILS DESCRIBED HEREIN ARE GENERIC AND MAY NOT REFLECT ACTUAL CONDITIONS FOR A SPECIFIC SITE. IF SITE CONDITIONS CAUSE INSTALLATION TO DEVIATE FROM THE REQUIREMENTS DETAILED HEREIN, A LICENSED ENGINEER OR ARCHITECT SHALL PREPARE SITE SPECIFIC DOCUMENTS FOR USE WITH THIS DOCUMENT.



FL27071

DATE: **01.16.23**

DWG. BY:
MS

CHK. BY:
HFN

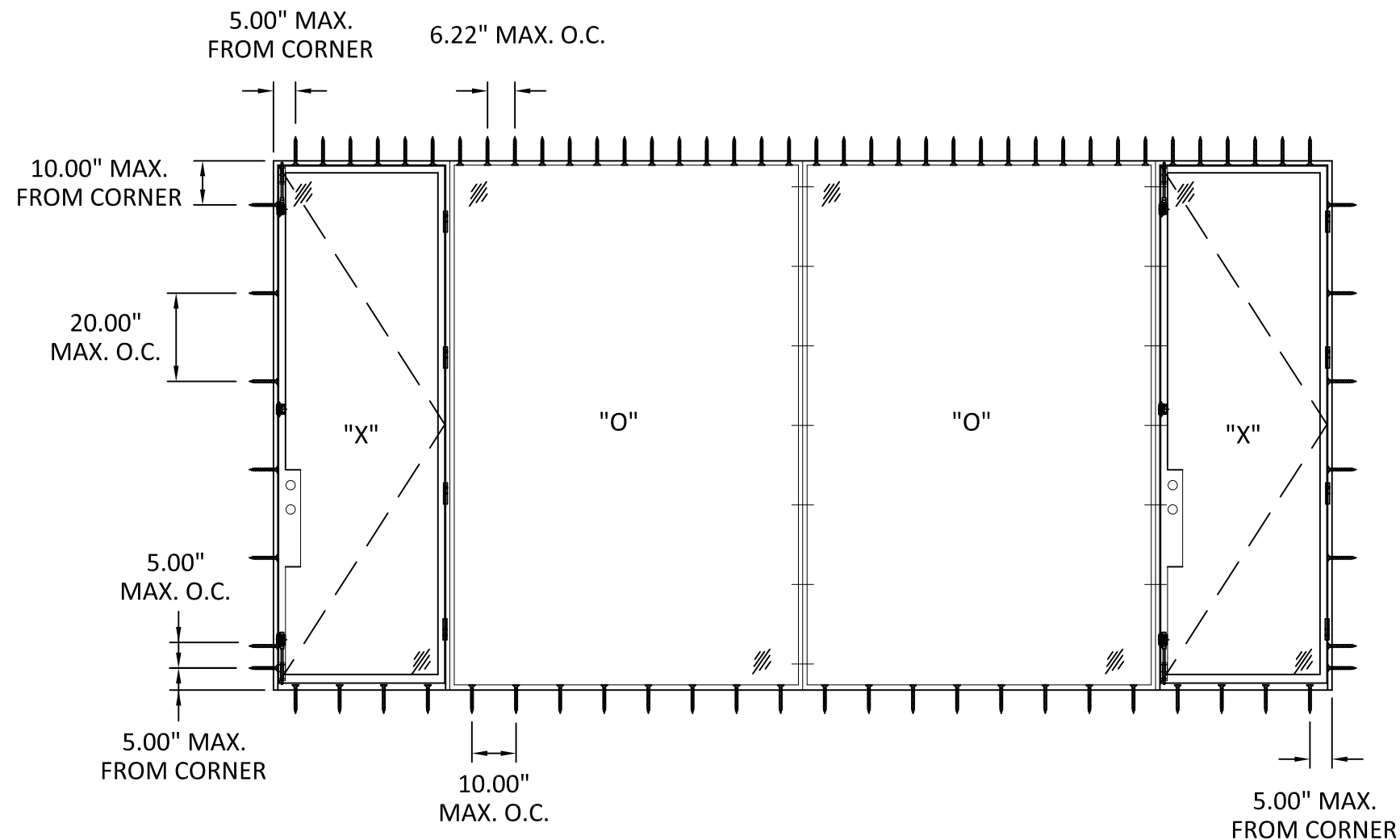
SCALE: **NTS**

DWG. #: **PCI016**

SHEET:

14

OF 32



ANCHOR LAYOUT
THROUGH FRAME
INSTALLATION

s:\projects\palmcity\ironworks\inc\fbc-19-1124-fbc-submittal-116749-f127071-f127072-f127073-f127074-f127075-mullion\dwgs\urban-door\new-package\pci016.dwg 2/13/2023 4:29 PM

TITLE: URBAN SERIES OUTSWING / INSWING
NARROW STILE DOOR
(WZ3) (IMPACT)

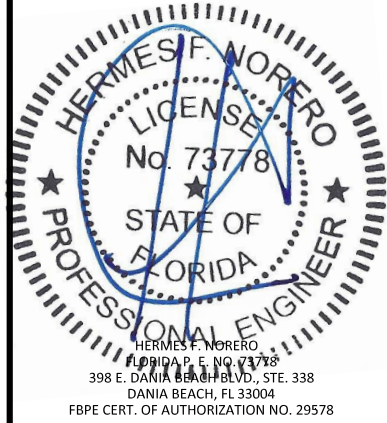
ELEVATION & ANCHOR LAYOUT

PREPARED BY: **BUILDING DROPS, INC.**
398 E. DANIA BEACH BLVD., STE. 338
DANIA BEACH, FL 33004
PH: (954)399-8478
FAX: (954)744-4738
WEB: www.buildingdrops.com

B.D.
BUILDING DROPS

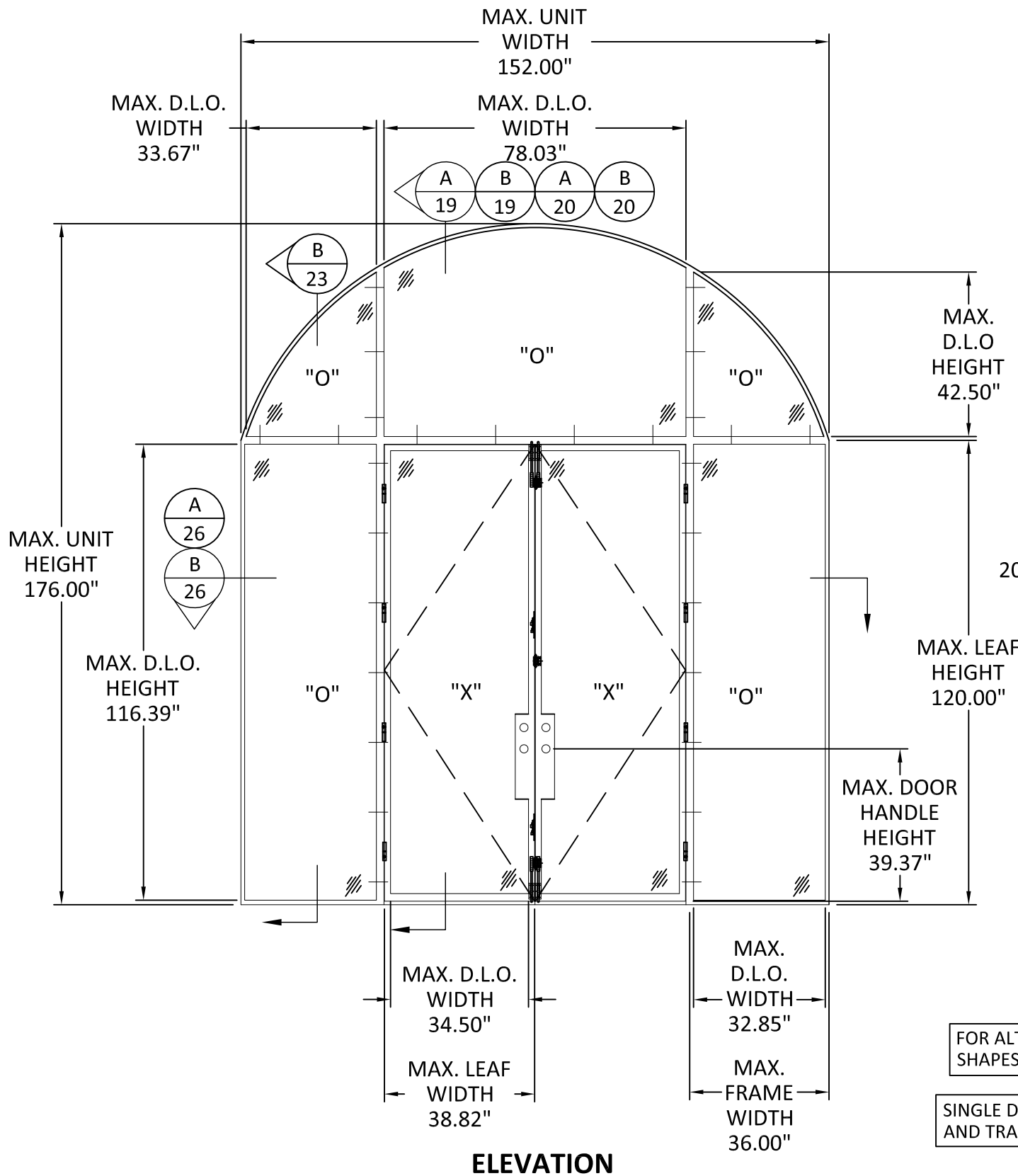
REMARKS	BY	DATE

THE INSTALLATION DETAILS DESCRIBED HEREIN ARE GENERIC AND MAY NOT REFLECT ACTUAL CONDITIONS FOR A SPECIFIC SITE. IF SITE CONDITIONS CAUSE INSTALLATION TO DEVIATE FROM THE REQUIREMENTS DETAILED HEREIN, A LICENSED ENGINEER OR ARCHITECT SHALL PREPARE SITE SPECIFIC DOCUMENTS FOR USE WITH THIS DOCUMENT.



FL27071

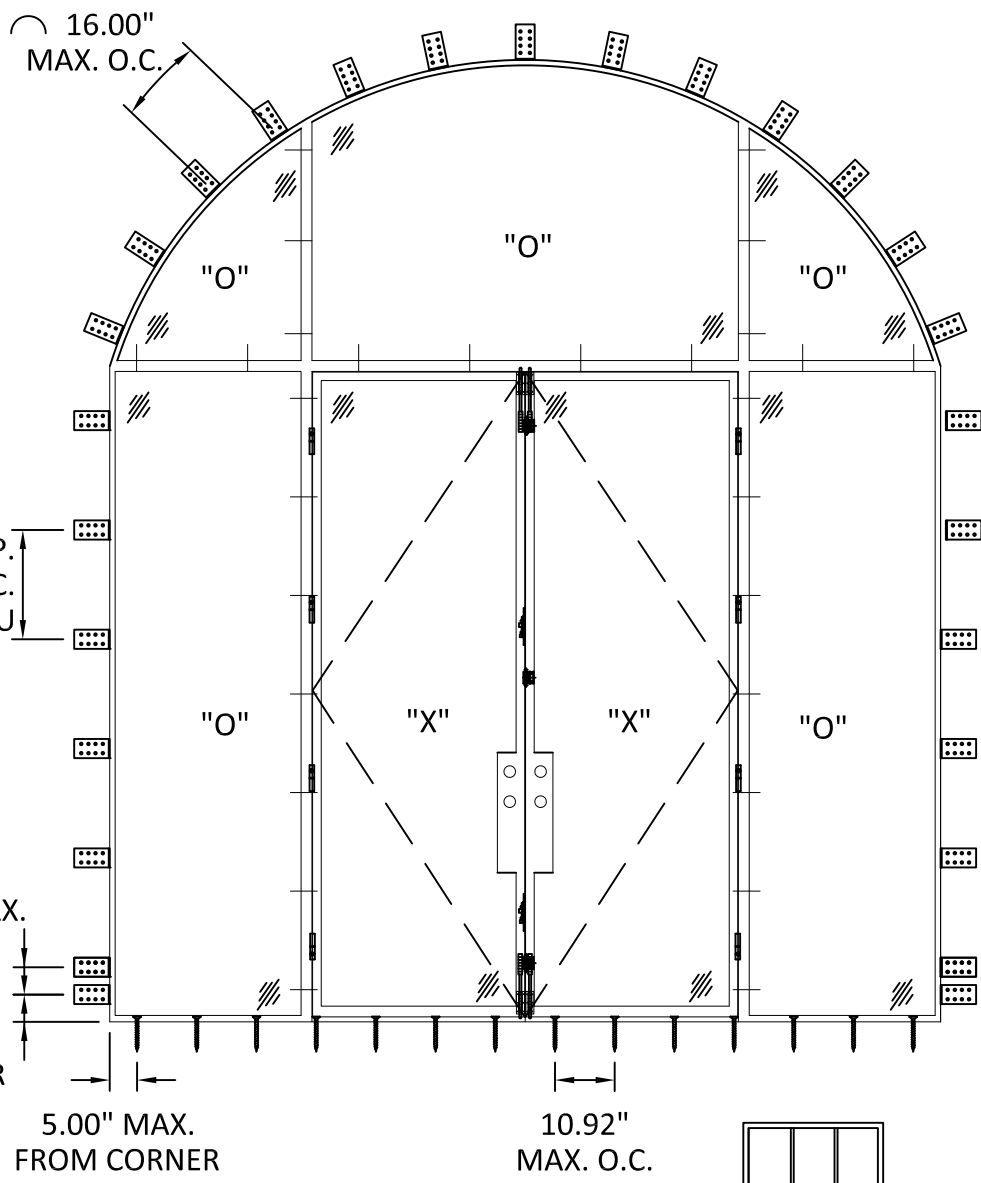
DATE:	01.16.23
DWG. BY:	MS
CHK. BY:	HFN
SCALE:	NTS
DWG. #:	PCI016
SHEET:	15



ELEVATION

FOR ALTERNATIVE TRANSOM SHAPES SEE SHEET 32

SINGLE DOOR WITH SIDELITE(S) AND TRANSOM ALSO QUALIFIED



ANCHOR LAYOUT
BRACKET INSTALLATION

SIMULATED DIVIDED LITE ALSO QUALIFIED

2/13/2023 4:29 PM
s:\projects\palmcity\ironworks\inc\fbc-19-1124-fbc-submittal-116749-f127071-f127072-f127073-f127074-f127075-mullion\dwgs\urban door\new package\pci016.dwg

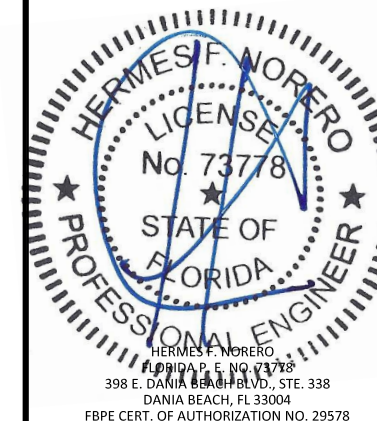
TITLE:
URBAN SERIES OUTSWING / INSWING
NARROW STILE DOOR
(WZ3) (IMPACT)
ANCHOR LAYOUT

PREPARED BY:
BUILDING DROPS, INC.
398 E. DANIA BEACH BLVD., STE. 338
DANIA BEACH, FL 33004
PH: (954)399-8478
FAX: (954)744-4738
WEB: www.buildingdrops.com



REMARKS	BY	DATE

THE INSTALLATION DETAILS DESCRIBED HEREIN ARE GENERIC AND MAY NOT REFLECT ACTUAL CONDITIONS FOR A SPECIFIC SITE. IF SITE CONDITIONS CAUSE INSTALLATION TO DEVIATE FROM THE REQUIREMENTS DETAILED HEREIN, A LICENSED ENGINEER OR ARCHITECT SHALL PREPARE SITE SPECIFIC DOCUMENTS FOR USE WITH THIS DOCUMENT.



FL27071

DATE: **01.16.23**

DWG. BY:
MS

CHK. BY:
HFN

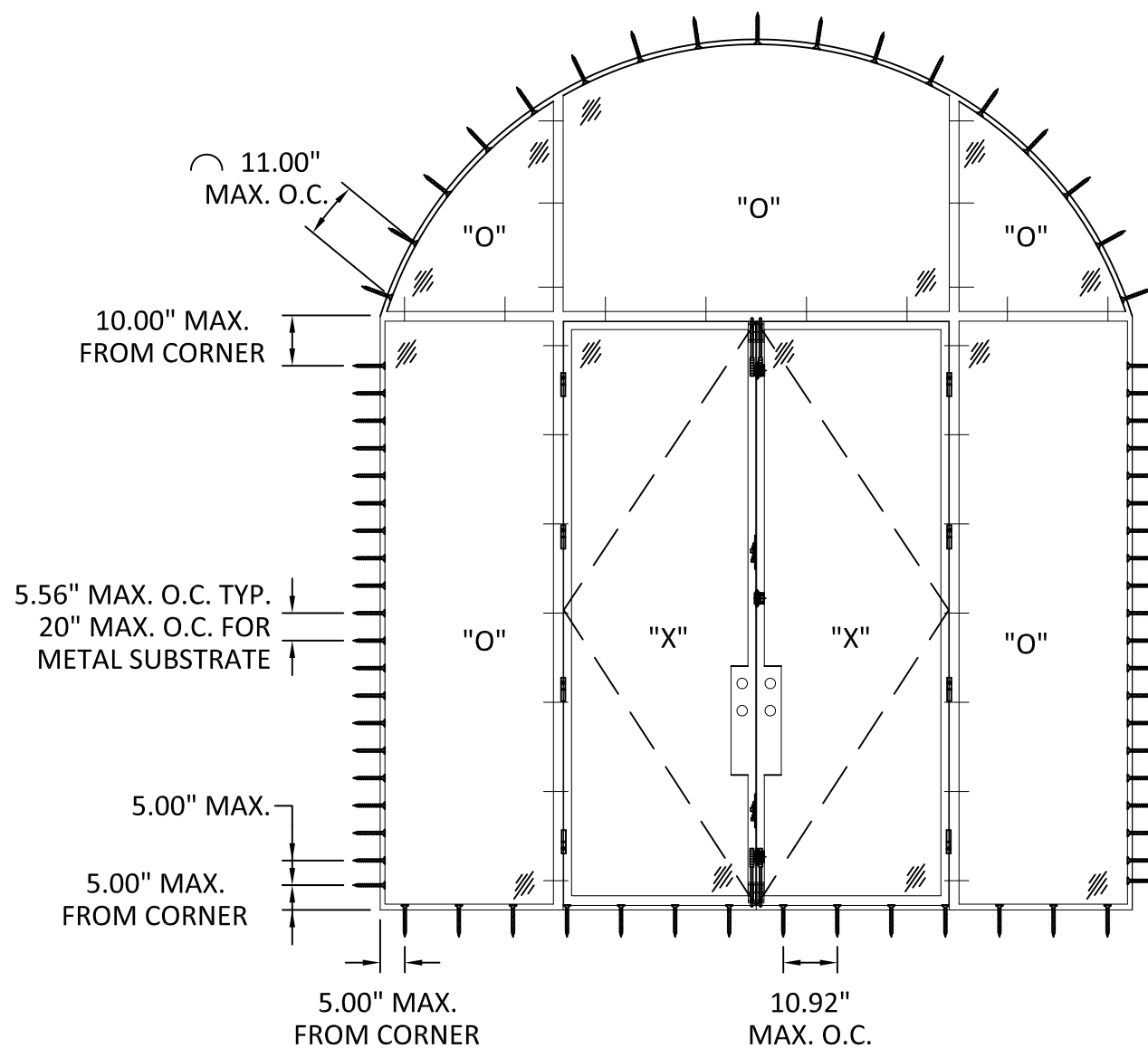
SCALE: **NTS**

DWG. #: **PCI016**

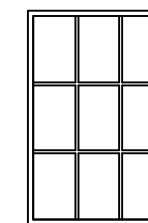
SHEET:

16

OF 32



ANCHOR LAYOUT
THROUGH FRAME
INSTALLATION



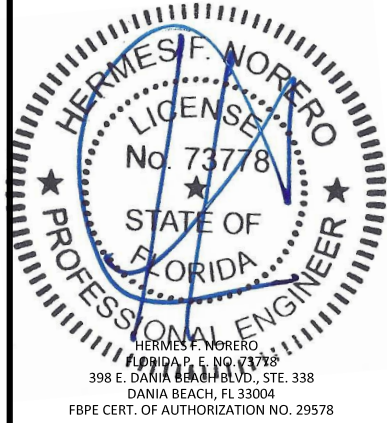
SIMULATED DIVIDED LITE
ALSO QUALIFIED

TITLE: URBAN SERIES OUTSWING / INSWING NARROW STILE DOOR (WZ3) (IMPACT)
ELEVATION & ANCHOR LAYOUT

PREPARED BY: BUILDING DROPS, INC.
398 E. DANIA BEACH BLVD., STE. 338
DANIA BEACH, FL 33004
PH: (954)399-8478
FAX: (954)744-4738
WEB: www.buildingdrops.com

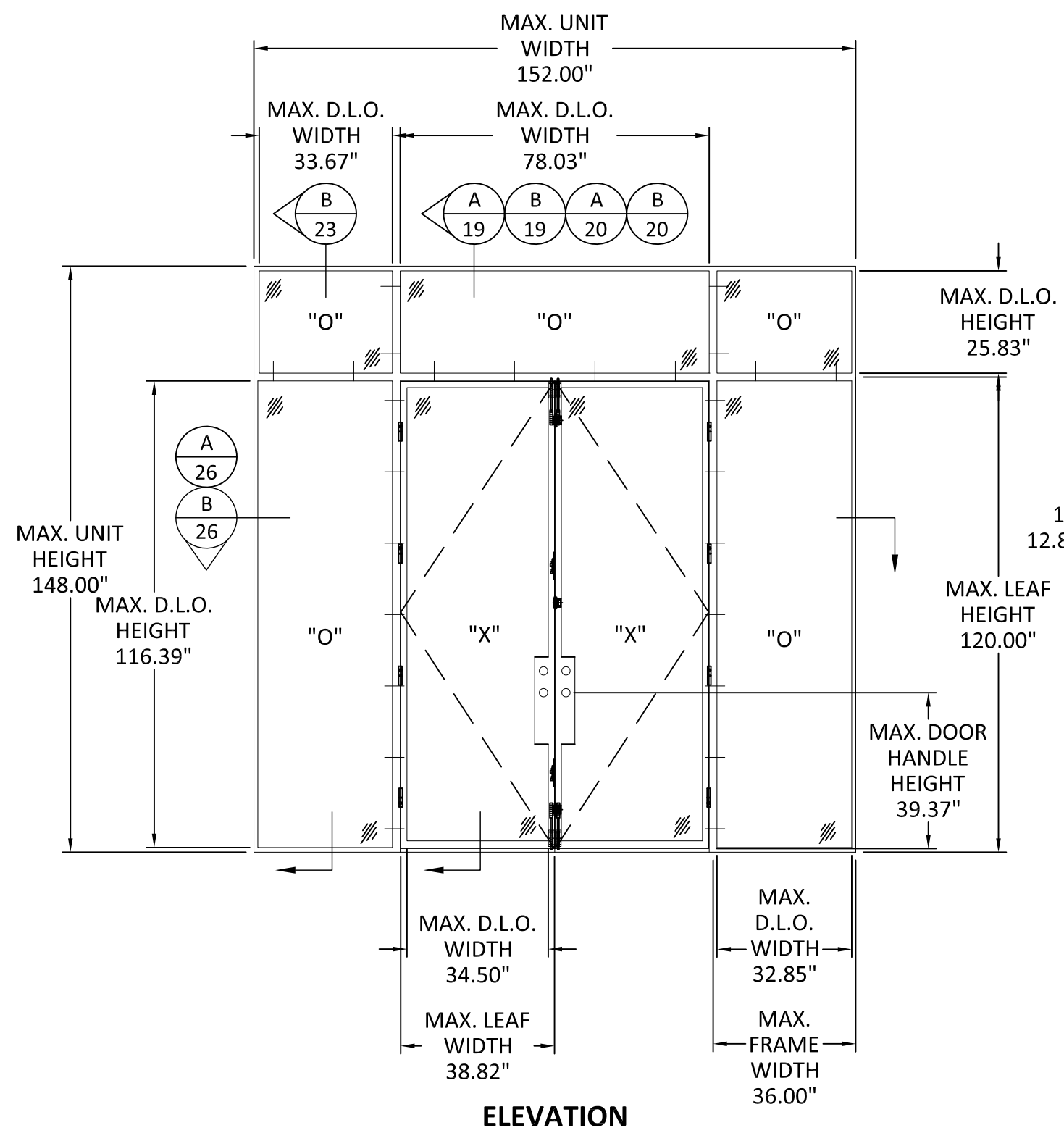
REMARKS	BY	DATE

THE INSTALLATION DETAILS DESCRIBED HEREIN ARE GENERIC AND MAY NOT REFLECT ACTUAL CONDITIONS FOR A SPECIFIC SITE. IF SITE CONDITIONS CAUSE INSTALLATION TO DEVIATE FROM THE REQUIREMENTS DETAILED HEREIN, A LICENSED ENGINEER OR ARCHITECT SHALL PREPARE SITE SPECIFIC DOCUMENTS FOR USE WITH THIS DOCUMENT.



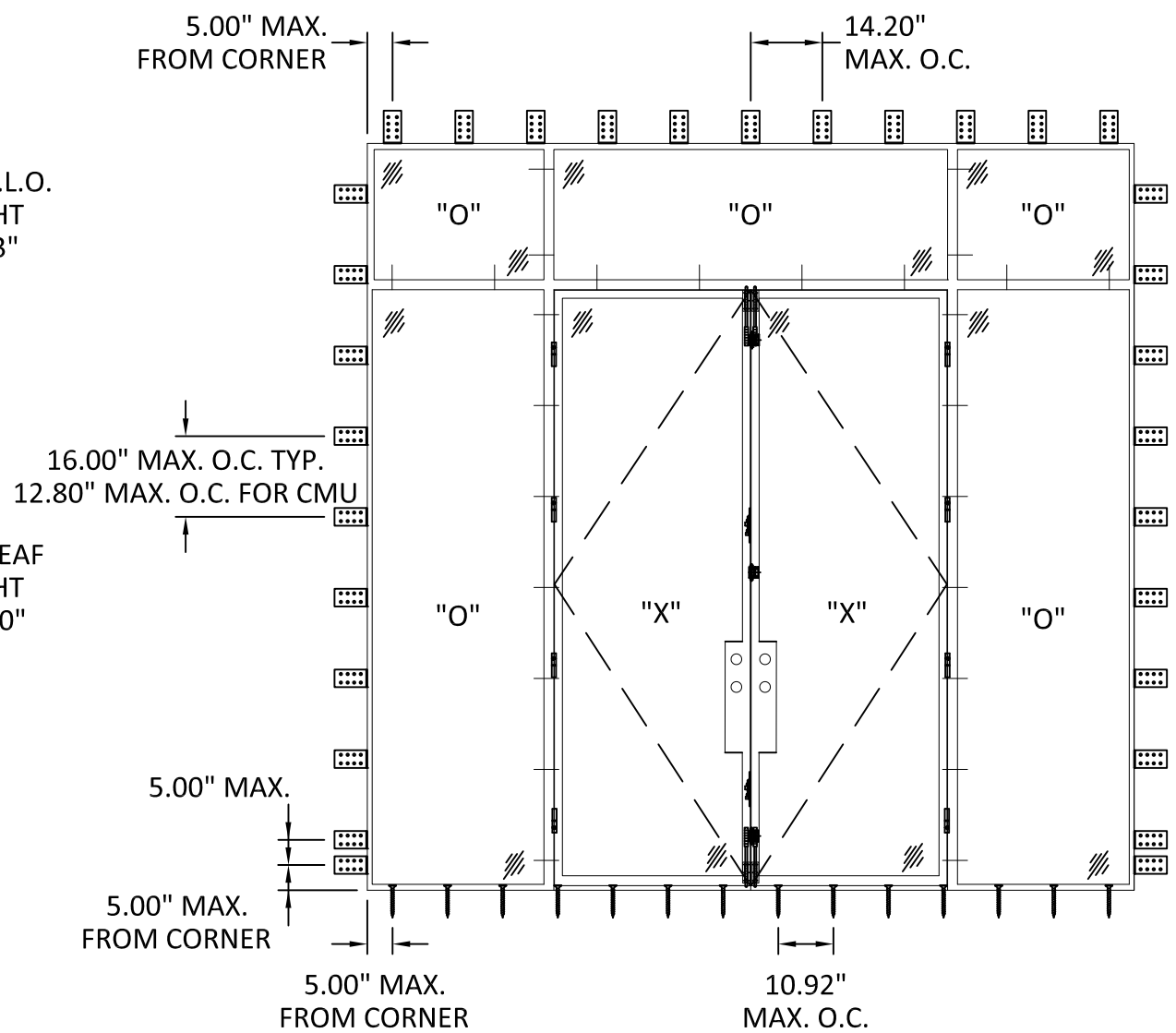
FL27071

DATE:	01.16.23
DWG. BY:	MS
CHK. BY:	HFN
SCALE:	NTS
DWG. #:	PCI016
SHEET:	17

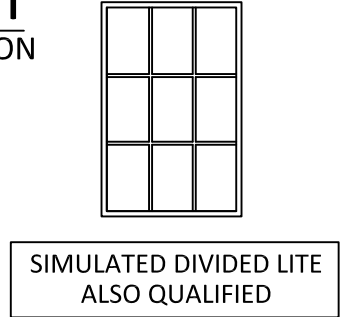


ELEVATION

SINGLE DOOR WITH SIDELITE(S) AND TRANSOM ALSO QUALIFIED



ANCHOR LAYOUT
BRACKET INSTALLATION



SIMULATED DIVIDED LITE ALSO QUALIFIED

2/13/2023 4:29 PM s:\projects\palmcity\ironworks\inc\fbc-19-1124-fbc-submittal-f116749-f127071-f127072-f127073-f127074-f127075-mullion\dwgs\urban door\new package\pci016.dwg

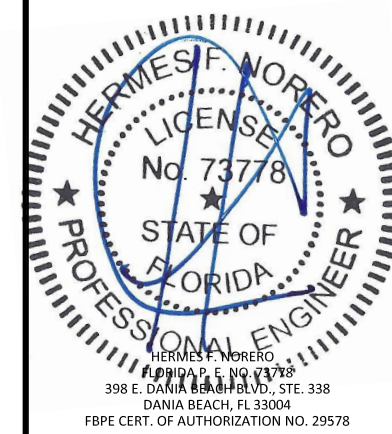
TITLE:
URBAN SERIES OUTSWING / INSWING
NARROW STILE DOOR
(WZ3) (IMPACT)
ANCHOR LAYOUT

PREPARED BY:
BUILDING DROPS, INC.
398 E. DANIA BEACH BLVD., STE. 338
DANIA BEACH, FL 33004
PH: (954)399-8478
FAX: (954)744-4738
WEB: www.buildingdrops.com



REMARKS	BY	DATE

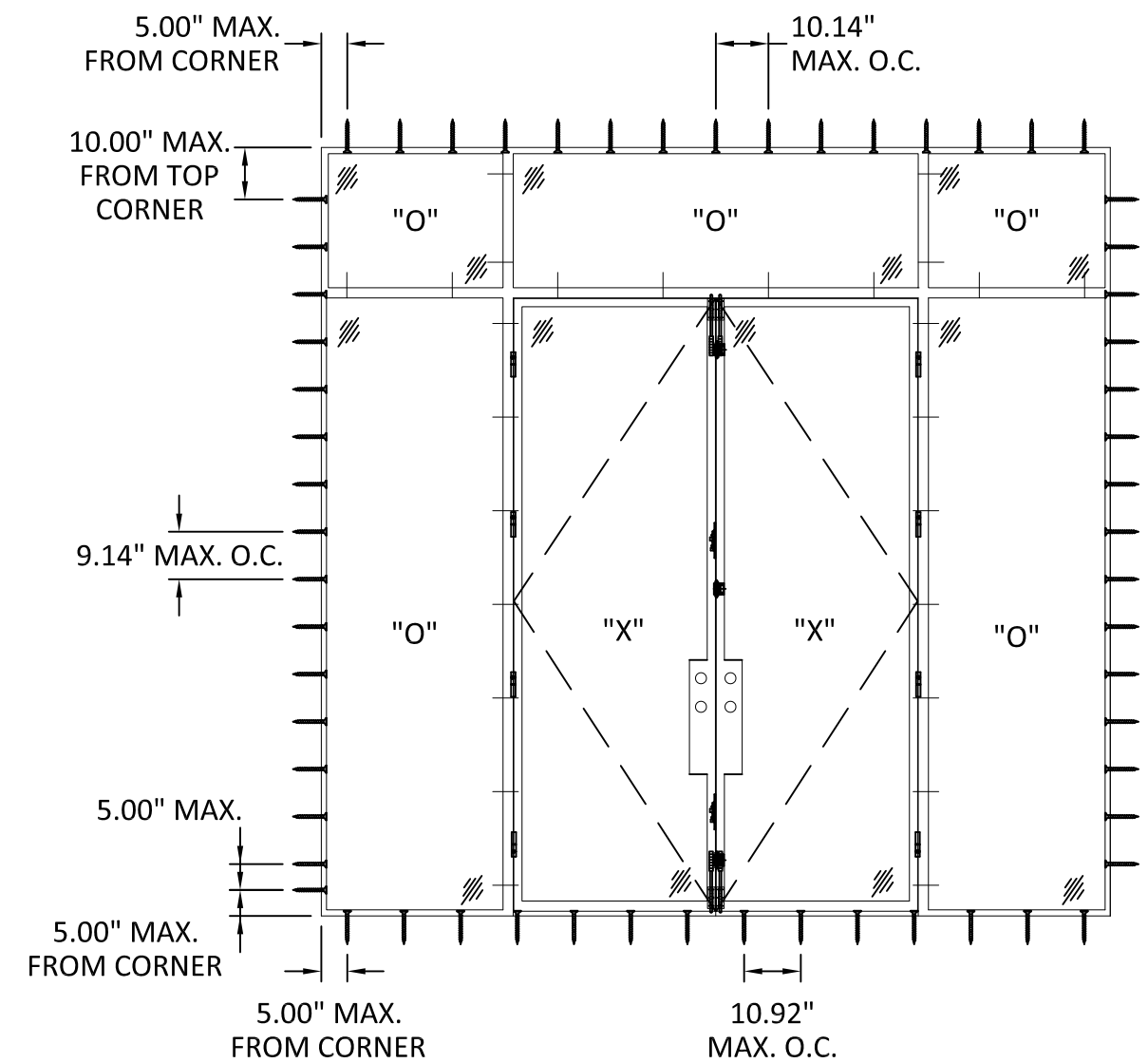
THE INSTALLATION DETAILS DESCRIBED HEREIN ARE GENERIC AND MAY NOT REFLECT ACTUAL CONDITIONS FOR A SPECIFIC SITE. IF SITE CONDITIONS CAUSE INSTALLATION TO DEVIATE FROM THE REQUIREMENTS DETAILED HEREIN, A LICENSED ENGINEER OR ARCHITECT SHALL PREPARE SITE SPECIFIC DOCUMENTS FOR USE WITH THIS DOCUMENT.



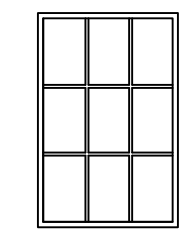
FL27071

DATE: **01.16.23**
DWG. BY: **MS** CHK. BY: **HFN**
SCALE: **NTS**
DWG. #: **PCI016**

SHEET:
18



ANCHOR LAYOUT
THROUGH FRAME
INSTALLATION



SIMULATED DIVIDED LITE
ALSO QUALIFIED

s:\projects\palmcity\ironworks, inc\fbc-19-1124-fbc-submittal-f116749-f127071-f127072-f127073-f127074-f127075-mullion\dwg\urban door\new package\pci016.dwg 2/13/2023 4:30 PM

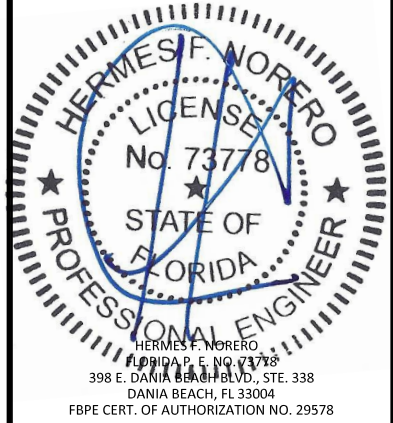
TITLE:
URBAN SERIES OUTSWING / INSWING
NARROW STILE DOOR
(WZ3) (IMPACT)
VERTICAL SECTIONS

PREPARED BY:
BUILDING DROPS, INC.
398 E. DANIA BEACH BLVD., STE. 338
DANIA BEACH, FL 33004
PH: (954)399-8478
FAX: (954)744-4738
WEB: www.buildingdrops.com



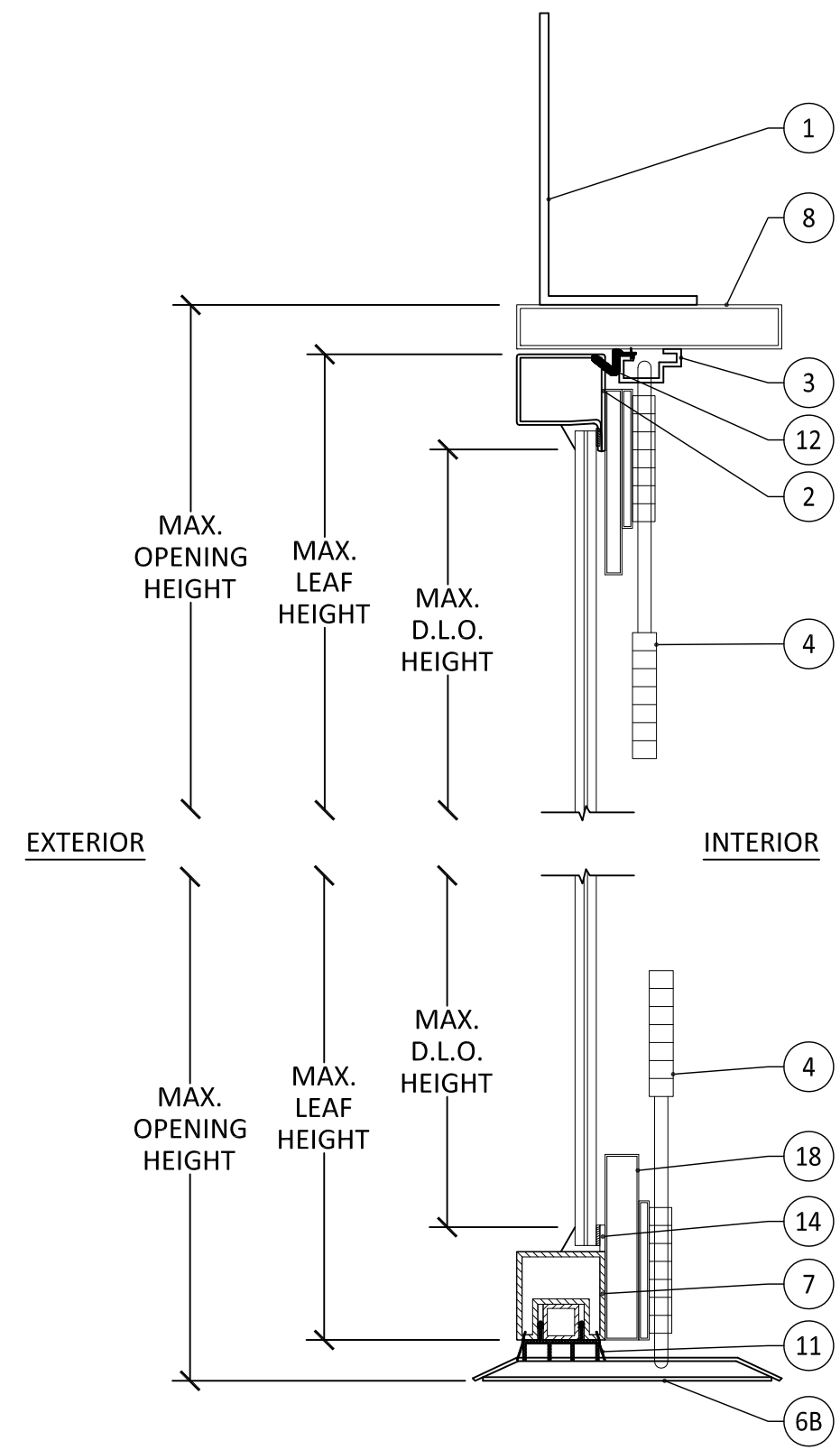
REMARKS	BY	DATE

THE INSTALLATION DETAILS DESCRIBED HEREIN ARE GENERIC AND MAY NOT REFLECT ACTUAL CONDITIONS FOR A SPECIFIC SITE. IF SITE CONDITIONS CAUSE INSTALLATION TO DEVIATE FROM THE REQUIREMENTS DETAILED HEREIN, A LICENSED ENGINEER OR ARCHITECT SHALL PREPARE SITE SPECIFIC DOCUMENTS FOR USE WITH THIS DOCUMENT.

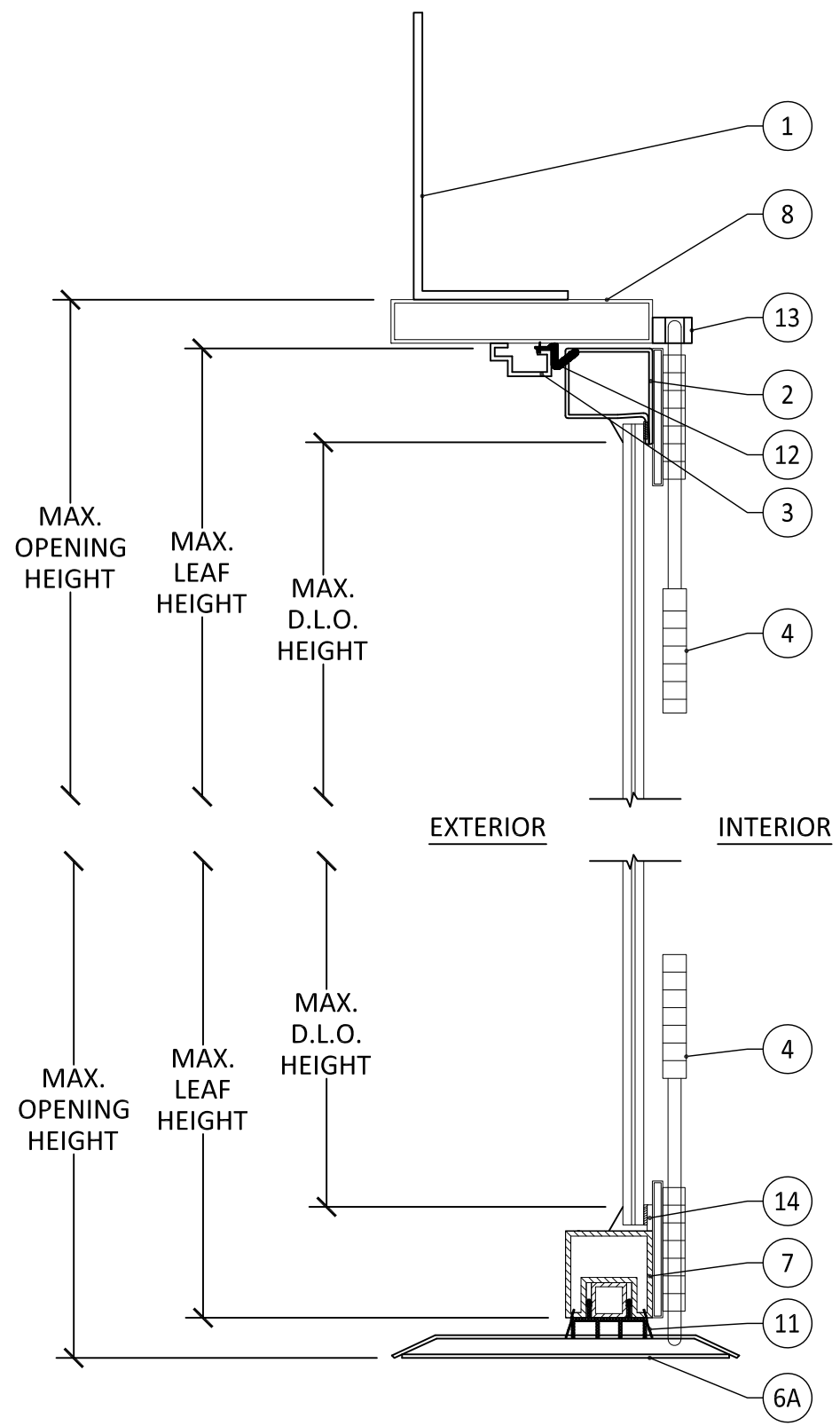


FL27071

DATE:	01.16.23	
DWG. BY:	MS	CHK. BY: HFN
SCALE:	NTS	
DWG. #:	PCI016	
SHEET:	19	



A
19 VERTICAL SECTION
ADA SILL OUTSWING



B
19 VERTICAL SECTION
ADA SILL INSWING

2/13/2023 4:30 PM
s:\projects\palmcity\ironworks\inc\lbc-19-1124-fbc-submittal-116749-f127071-f127072-f127073-f127074-f127075-mullion\dwgs\urban door\new package\pci016.dwg

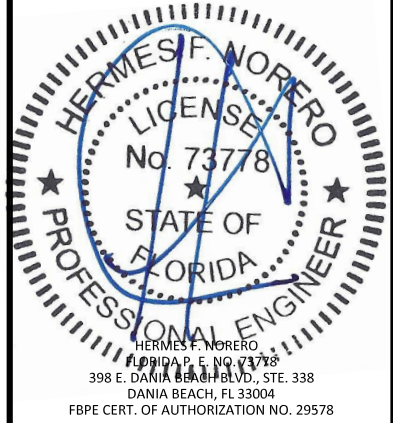
TITLE:
URBAN SERIES OUTSWING / INSWING
NARROW STILE DOOR
(WZ3) (IMPACT)
VERTICAL SECTIONS

PREPARED BY:
BUILDING DROPS, INC.
398 E. DANIA BEACH BLVD., STE. 338
DANIA BEACH, FL 33004
PH: (954)399-8478
FAX: (954)744-4738
WEB: www.buildingdrops.com



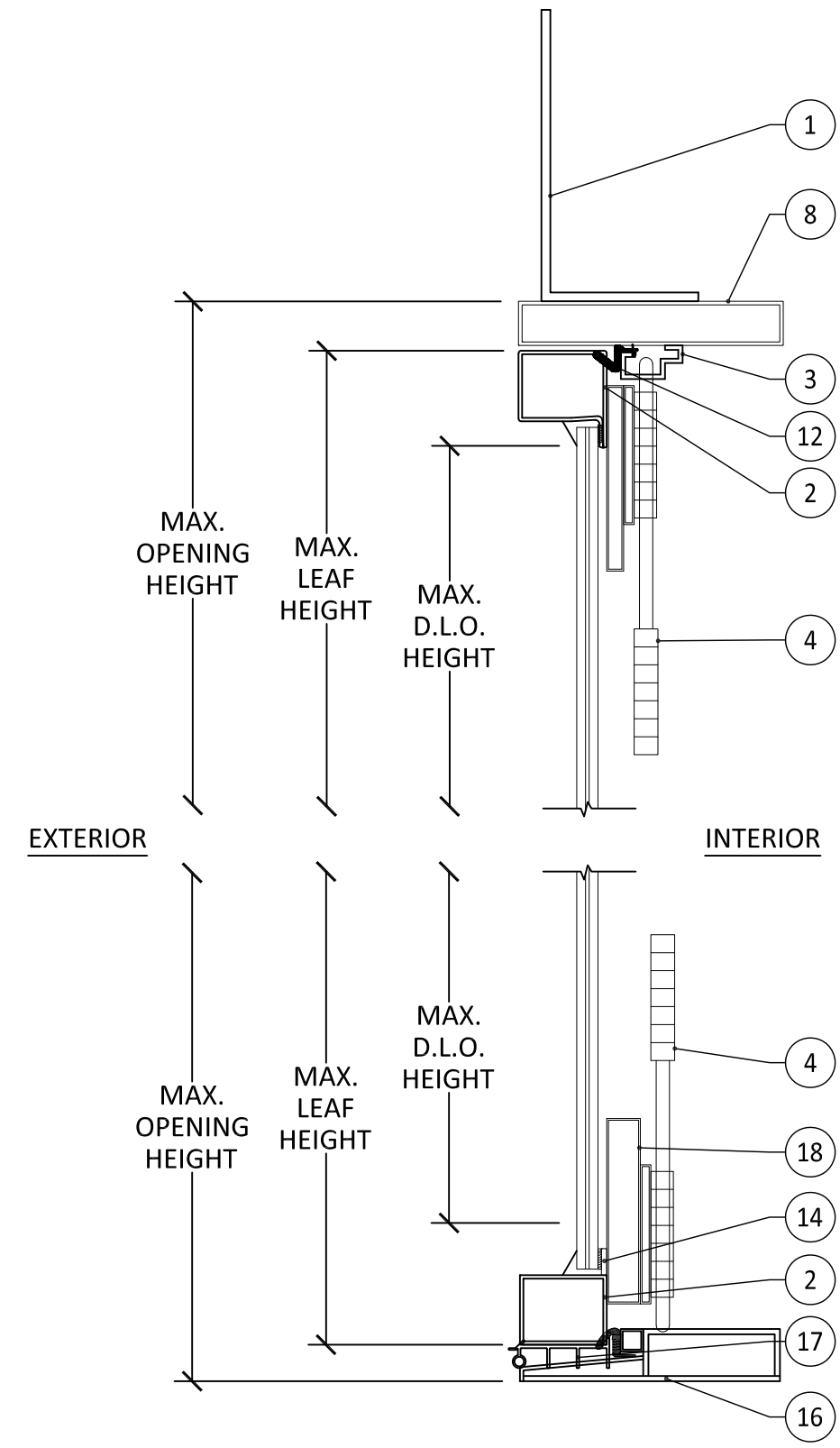
REMARKS	BY	DATE

THE INSTALLATION DETAILS DESCRIBED HEREIN ARE GENERIC AND MAY NOT REFLECT ACTUAL CONDITIONS FOR A SPECIFIC SITE. IF SITE CONDITIONS CAUSE INSTALLATION TO DEVIATE FROM THE REQUIREMENTS DETAILED HEREIN, A LICENSED ENGINEER OR ARCHITECT SHALL PREPARE SITE SPECIFIC DOCUMENTS FOR USE WITH THIS DOCUMENT.

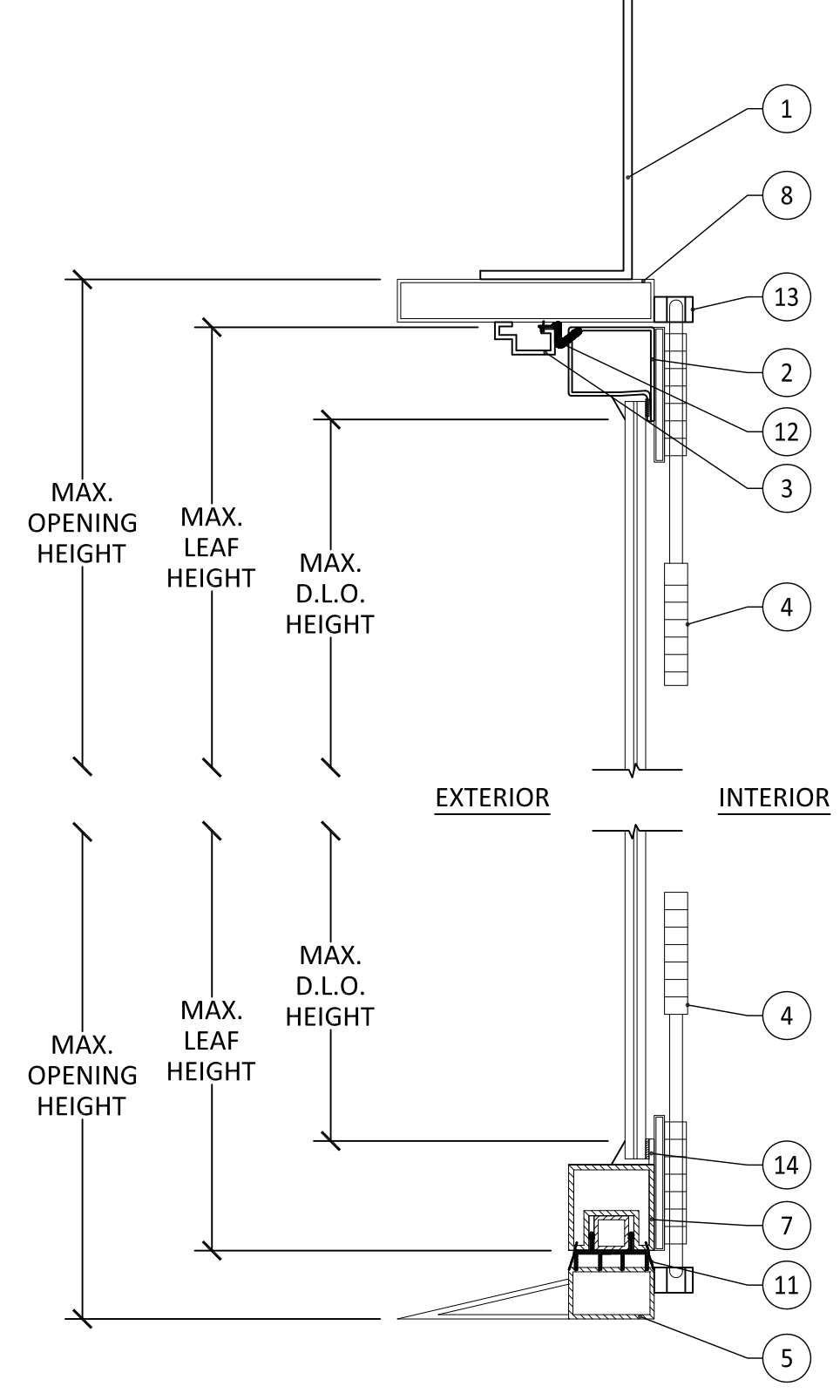


FL27071

DATE:	01.16.23
DWG. BY:	MS
CHK. BY:	HFN
SCALE:	NTS
DWG. #:	PCI016
SHEET:	20



A
20 VERTICAL SECTION
OUTSWING



B
20 VERTICAL SECTION
INSWING

s:\projects\palmcity\ironworks, inc\fbc-19-1124-fbc-submittal-f116749-f127071-f127072-f127073-f127074-f127075-mullion\dwgs\urban door\new package\pci016.dwg 2/13/2023 4:30 PM

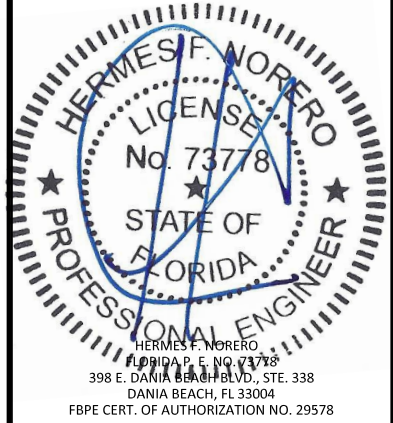
TITLE: URBAN SERIES OUTSWING / INSWING
NARROW STILE DOOR
(WZ3) (IMPACT)
VERTICAL SECTIONS

PREPARED BY:
BUILDING DROPS, INC.
398 E. DANIA BEACH BLVD., STE. 338
DANIA BEACH, FL 33004
PH: (954)399-8478
FAX: (954)744-4738
WEB: www.buildingdrops.com



REMARKS	BY	DATE

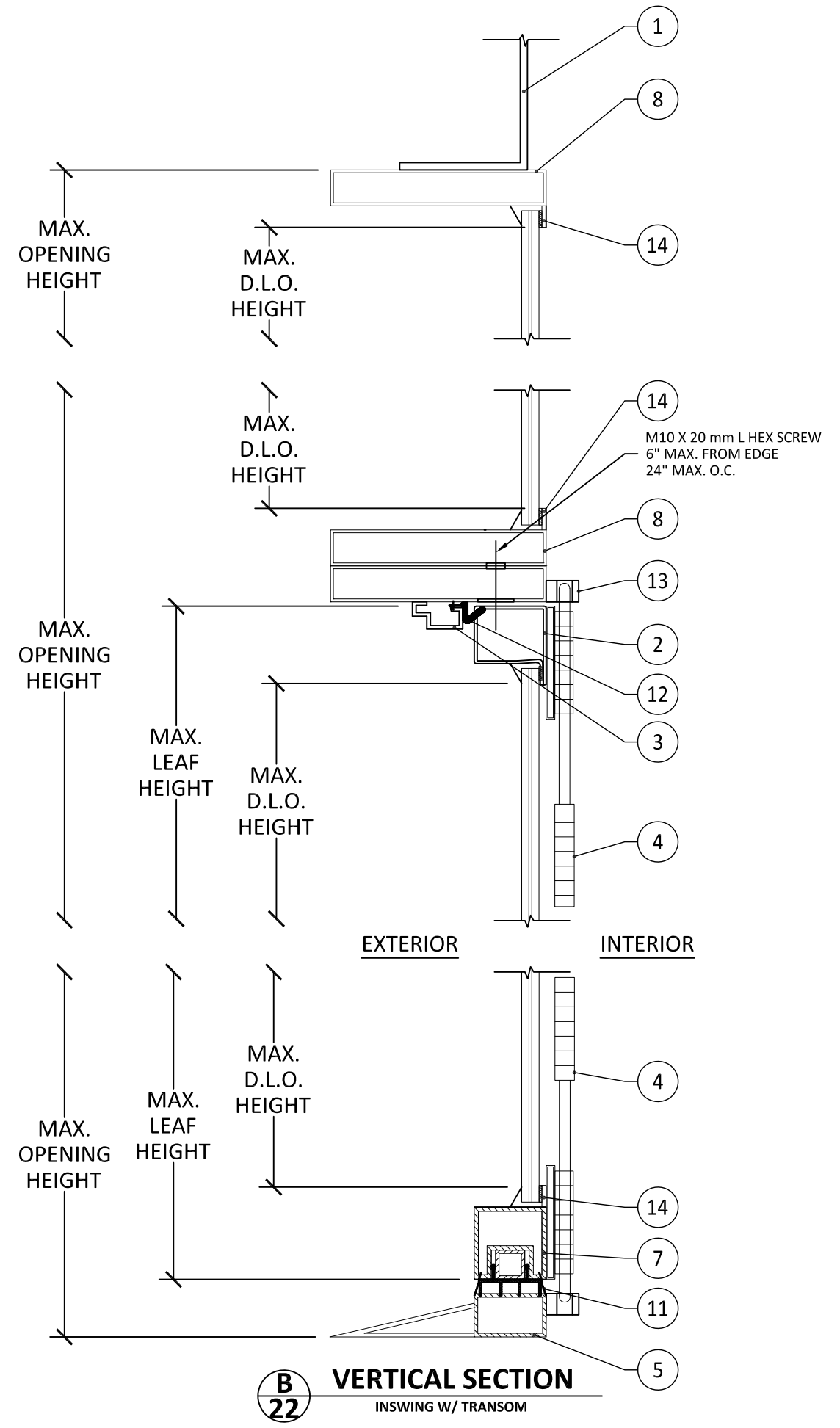
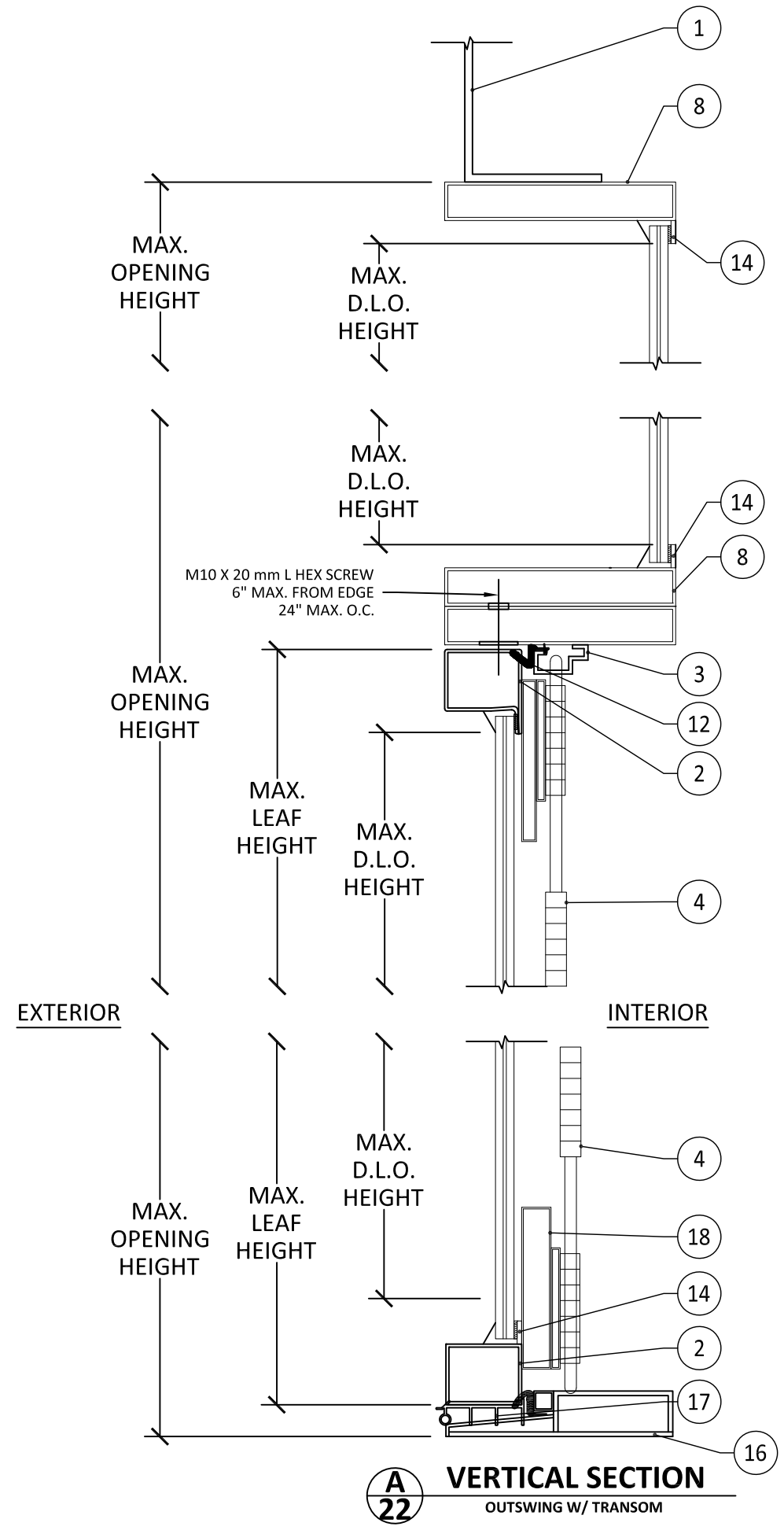
THE INSTALLATION DETAILS DESCRIBED HEREIN ARE GENERIC AND MAY NOT REFLECT ACTUAL CONDITIONS FOR A SPECIFIC SITE. IF SITE CONDITIONS CAUSE INSTALLATION TO DEVIATE FROM THE REQUIREMENTS DETAILED HEREIN, A LICENSED ENGINEER OR ARCHITECT SHALL PREPARE SITE SPECIFIC DOCUMENTS FOR USE WITH THIS DOCUMENT.



FL27071

DATE:	01.16.23
DWG. BY:	MS
CHK. BY:	HFN
SCALE:	NTS
DWG. #:	PCI016
SHEET:	

22



2/13/2023 4:30 PM
s:\projects\palmcity\ironworks\inc\lbc-19-1124-fbc-submittal-ff16749-ff127071, ff127072, ff127073, ff127074, ff127075, nullion\dwg\urban door\new package\pci016.dwg

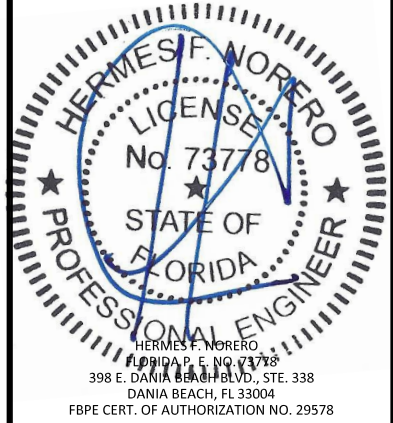
TITLE:
URBAN SERIES OUTSWING / INSWING
NARROW STILE DOOR
(WZ3) (IMPACT)
VERTICAL SECTIONS

PREPARED BY:
BUILDING DROPS, INC.
398 E. DANIA BEACH BLVD., STE. 338
DANIA BEACH, FL 33004
PH: (954)399-8478
FAX: (954)744-4738
WEB: www.buildingdrops.com



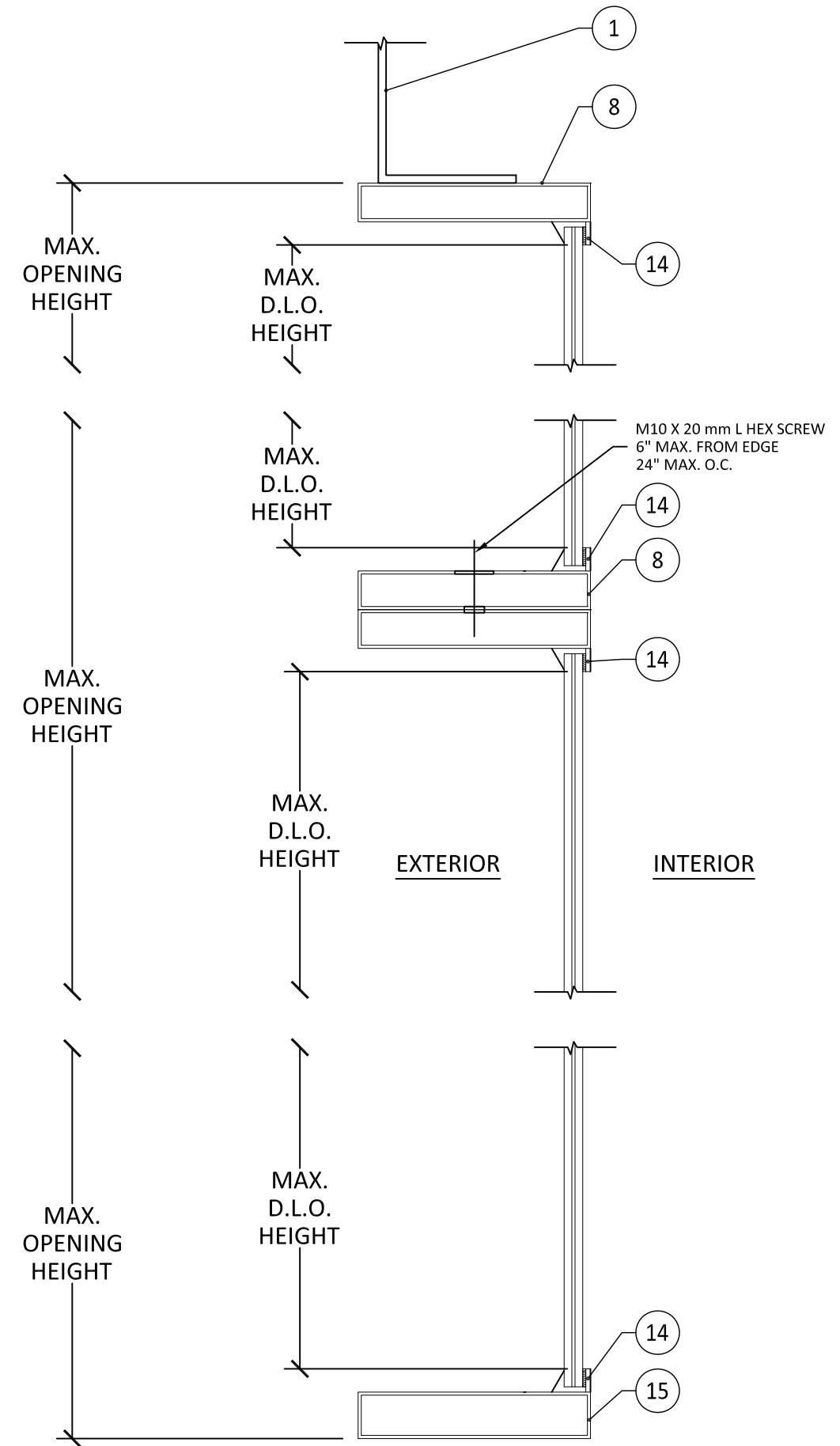
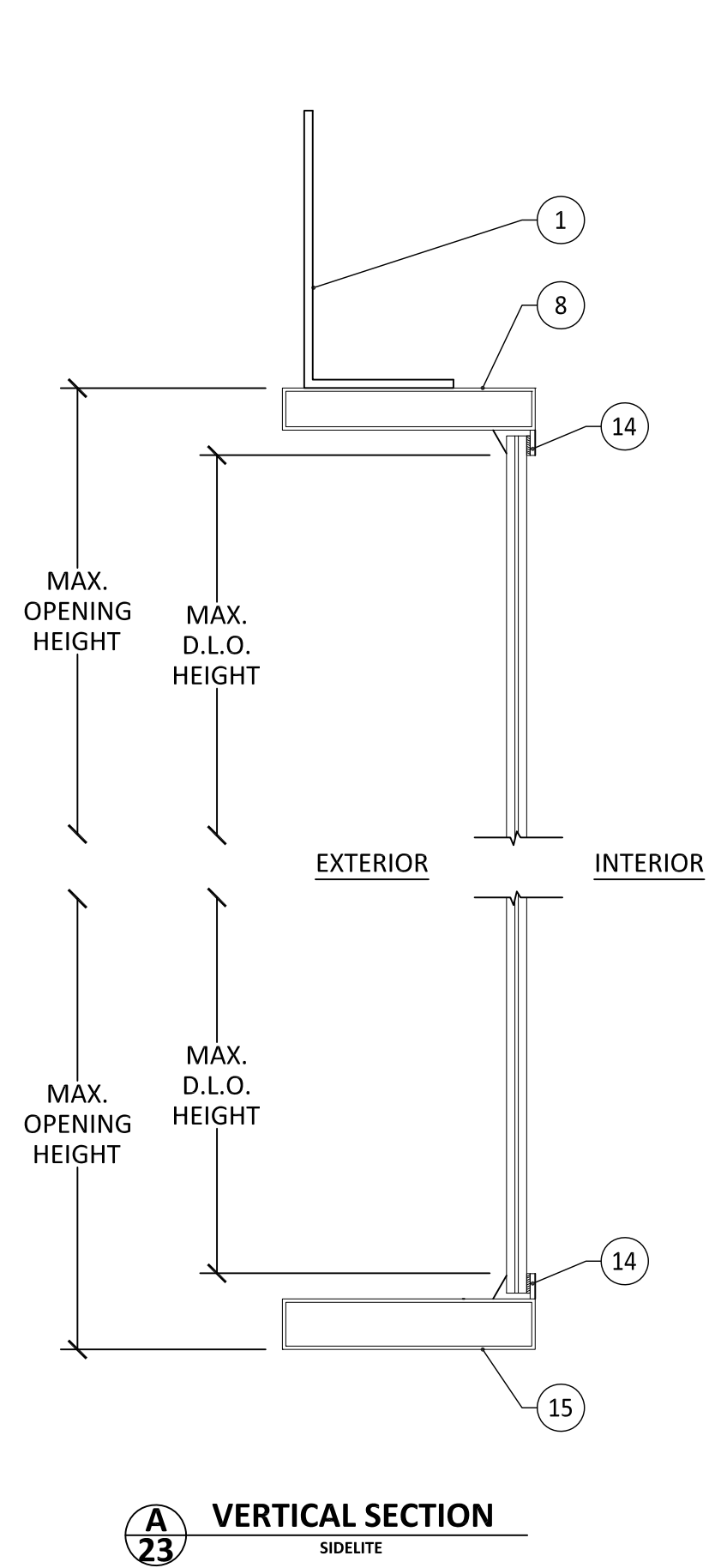
REMARKS	BY	DATE

THE INSTALLATION DETAILS DESCRIBED HEREIN ARE GENERIC AND MAY NOT REFLECT ACTUAL CONDITIONS FOR A SPECIFIC SITE. IF SITE CONDITIONS CAUSE INSTALLATION TO DEVIATE FROM THE REQUIREMENTS DETAILED HEREIN, A LICENSED ENGINEER OR ARCHITECT SHALL PREPARE SITE SPECIFIC DOCUMENTS FOR USE WITH THIS DOCUMENT.



FL27071

DATE:	01.16.23
DWG. BY:	MS
CHK. BY:	HFN
SCALE:	NTS
DWG. #:	PCI016
SHEET:	23



s:\projects\palmcity_ironworks_inc\fbc-19-1124-fbc-submittal-1\16749-f127071-f127072-f127073-f127074-f127075-mullion\dwgs\urban_door\new_package\pci016.dwg 2/13/2023 4:30 PM

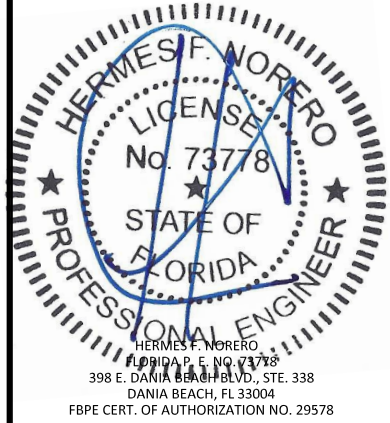
TITLE: URBAN SERIES OUTSWING / INSWING
NARROW STILE DOOR
(WZ3) (IMPACT)
HORIZONTAL SECTIONS

PREPARED BY:
BUILDING DROPS, INC.
398 E. DANIA BEACH BLVD., STE. 338
DANIA BEACH, FL 33004
PH: (954)399-8478
FAX: (954)744-4738
WEB: www.buildingdrops.com



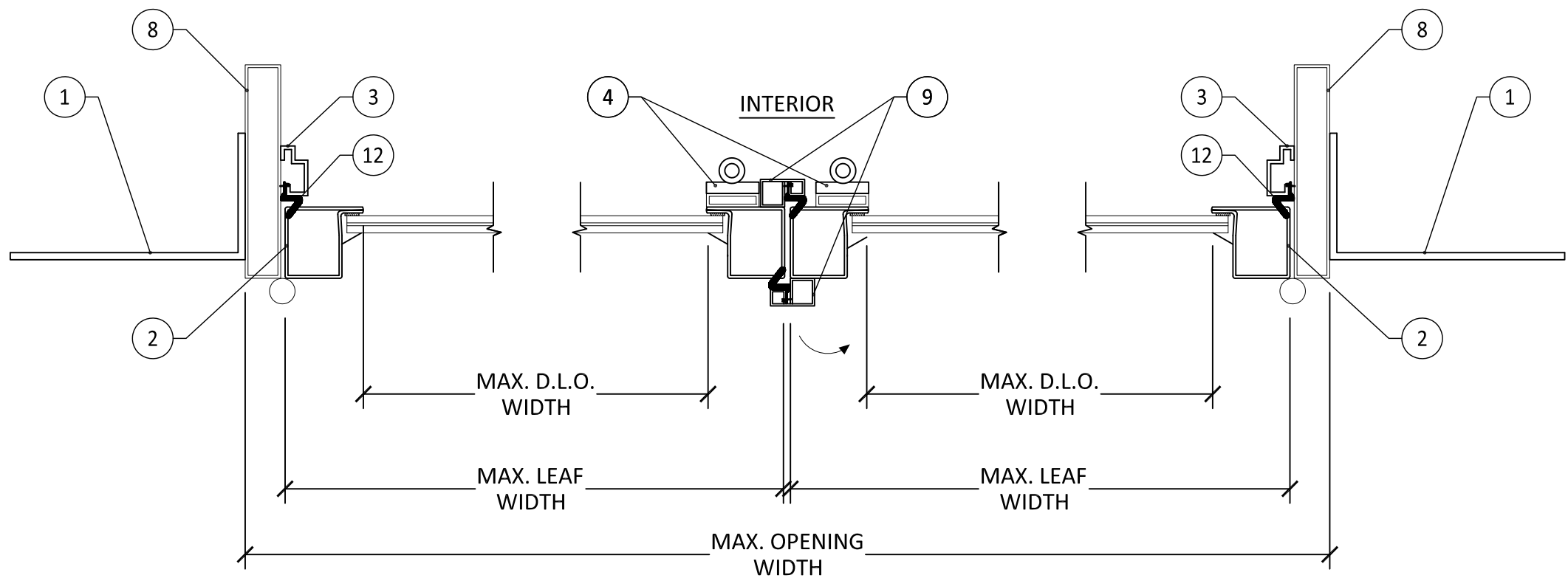
REMARKS	BY	DATE

THE INSTALLATION DETAILS DESCRIBED HEREIN ARE GENERIC AND MAY NOT REFLECT ACTUAL CONDITIONS FOR A SPECIFIC SITE. IF SITE CONDITIONS CAUSE INSTALLATION TO DEVIATE FROM THE REQUIREMENTS DETAILED HEREIN, A LICENSED ENGINEER OR ARCHITECT SHALL PREPARE SITE SPECIFIC DOCUMENTS FOR USE WITH THIS DOCUMENT.

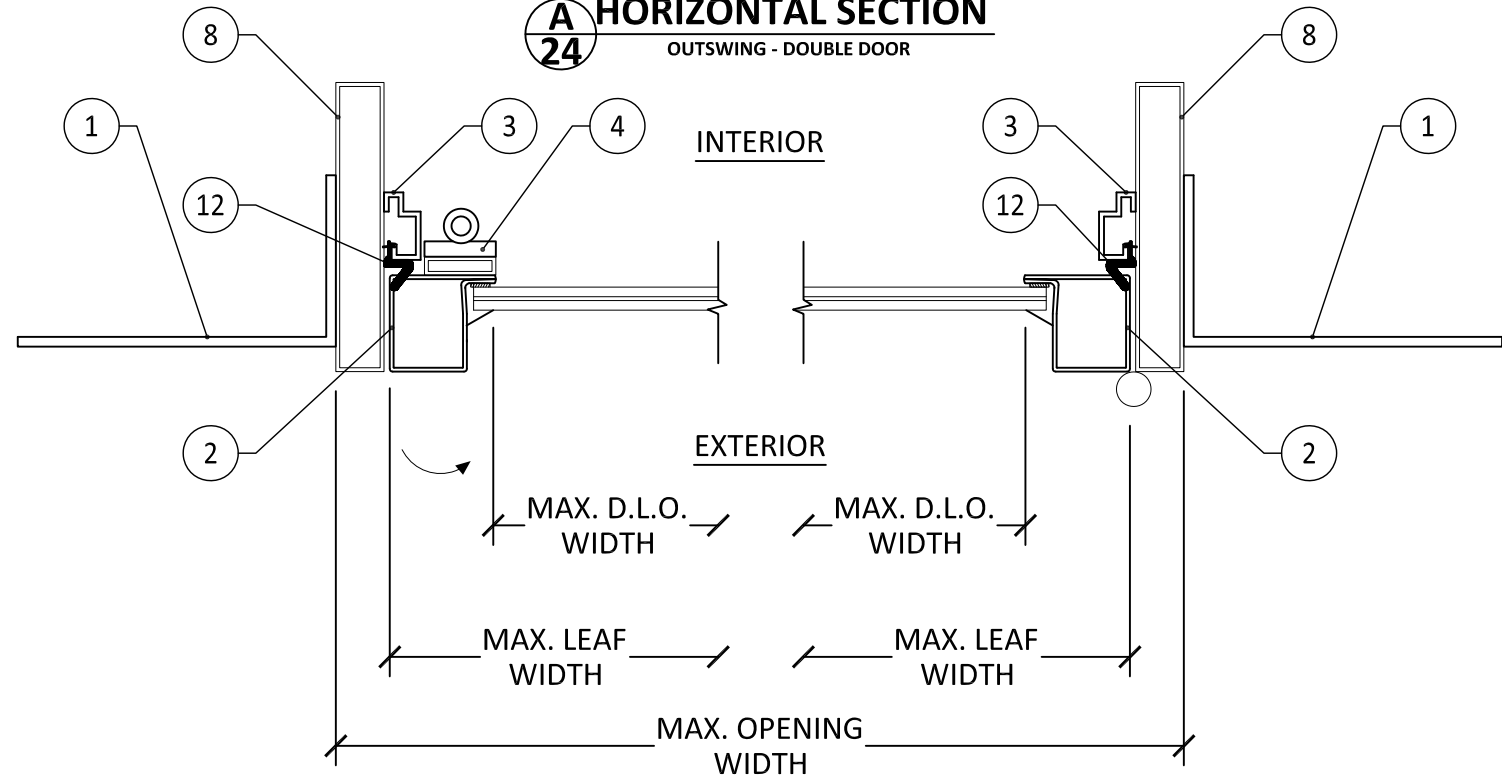


FL27071

DATE:	01.16.23
DWG. BY:	MS
CHK. BY:	HFN
SCALE:	NTS
DWG. #:	PCI016
SHEET:	24



A HORIZONTAL SECTION
24 OUTSWING - DOUBLE DOOR

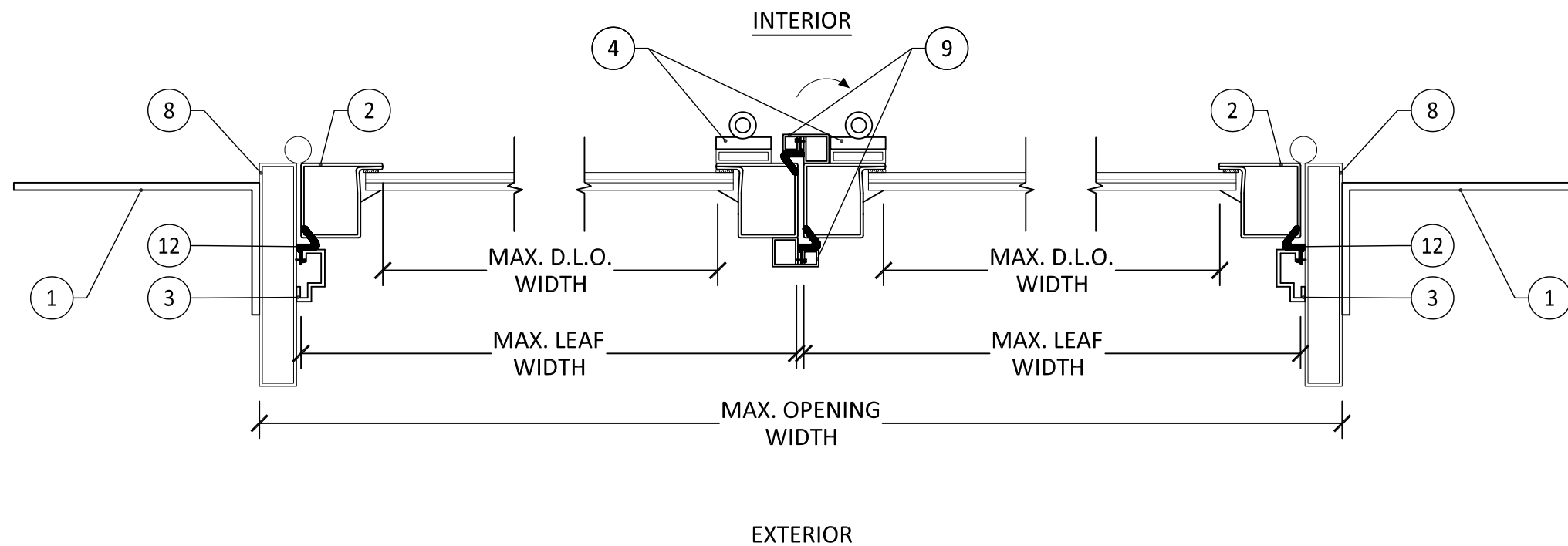


B HORIZONTAL SECTION
24 OUTSWING - SINGLE DOOR

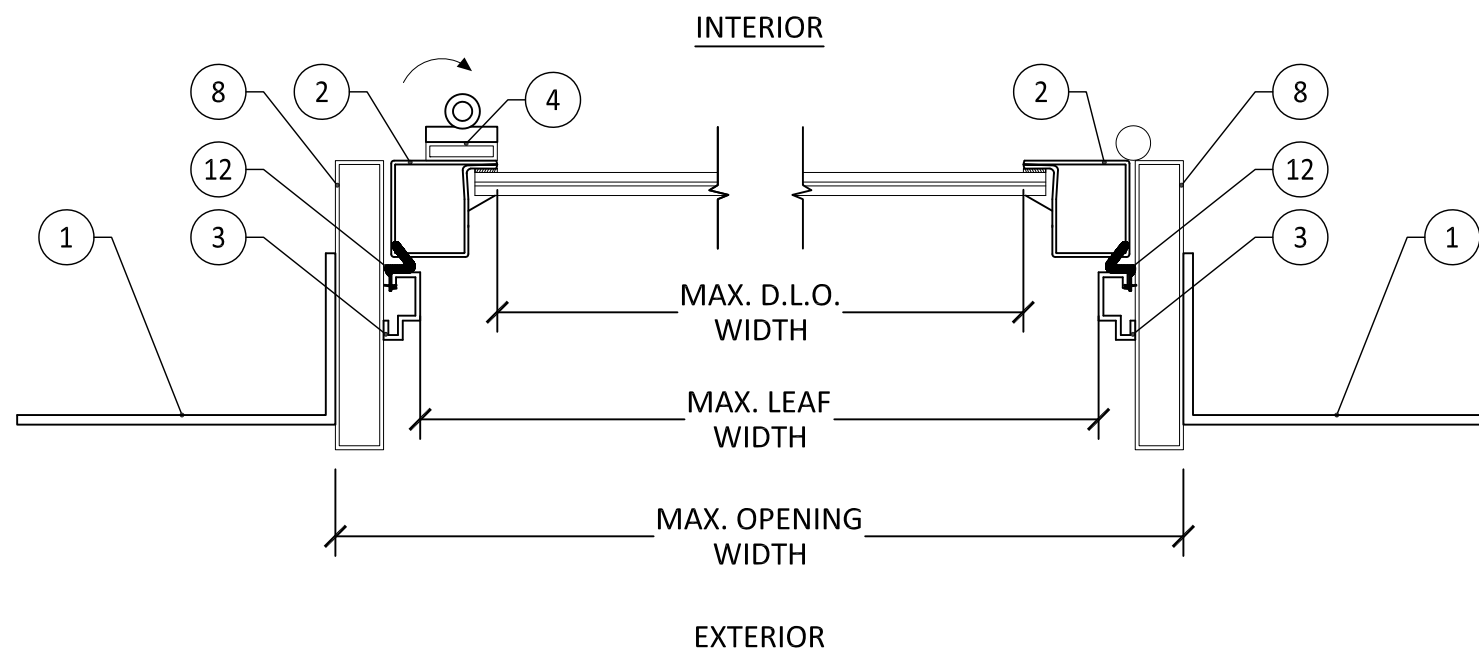
2/13/2023 4:30 PM s:\projects\palmcity ironworks, inc\fbc-19-1124 - fbc submittal - fl16749 - fl27071, fl27072, fl27073, fl27074, fl27075, mullion\dwg\urban door\new package\pci016.dwg

TITLE:
URBAN SERIES OUTSWING / INSWING
NARROW STILE DOOR
(WZ3) (IMPACT)
HORIZONTAL SECTIONS

PREPARED BY:
BUILDING DROPS, INC.
398 E. DANIA BEACH BLVD., STE. 338
DANIA BEACH, FL 33004
PH: (954) 399-8478
FAX: (954) 744-4738
WEB: www.buildingdrops.com



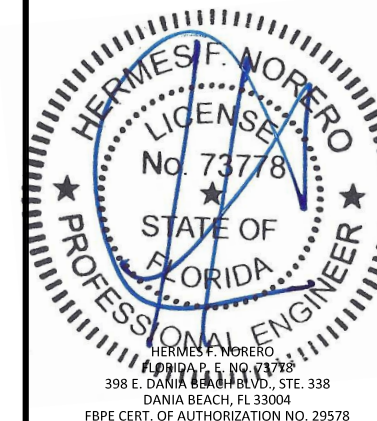
A HORIZONTAL SECTION
25 INSWING - DOUBLE DOOR



B HORIZONTAL SECTION
25 INSWING - SINGLE DOOR

REMARKS	BY	DATE

THE INSTALLATION DETAILS DESCRIBED HEREIN ARE GENERIC AND MAY NOT REFLECT ACTUAL CONDITIONS FOR A SPECIFIC SITE. IF SITE CONDITIONS CAUSE INSTALLATION TO DEVIATE FROM THE REQUIREMENTS DETAILED HEREIN, A LICENSED ENGINEER OR ARCHITECT SHALL PREPARE SITE SPECIFIC DOCUMENTS FOR USE WITH THIS DOCUMENT.



FL27071

DATE: **01.16.23**

DWG. BY:
MS

CHK. BY:
HFN

SCALE: **NTS**

DWG. #: **PCI016**

SHEET:

25

s:\projects\palmcity\ironworks, inc\fbci-19-1124-fbc-submittal-f116749-f127071-f127072-f127073-f127074-f127075-mullion\dwg\urban door\new package\pci016.dwg 2/13/2023 4:30 PM

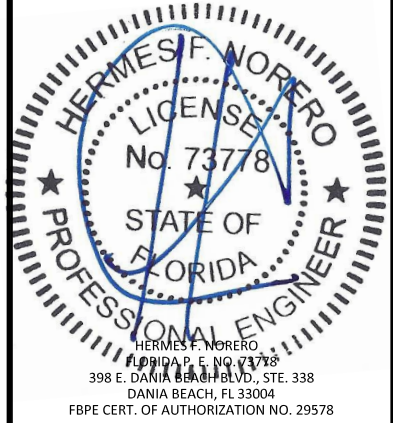
TITLE: URBAN SERIES OUTSWING / INSWING
NARROW STILE DOOR
(WZ3) (IMPACT)
HORIZONTAL SECTIONS

PREPARED BY:
BUILDING DROPS, INC.
398 E. DANIA BEACH BLVD., STE. 338
DANIA BEACH, FL 33004
PH: (954)399-8478
FAX: (954)744-4738
WEB: www.buildingdrops.com



REMARKS	BY	DATE

THE INSTALLATION DETAILS DESCRIBED HEREIN ARE GENERIC AND MAY NOT REFLECT ACTUAL CONDITIONS FOR A SPECIFIC SITE. IF SITE CONDITIONS CAUSE INSTALLATION TO DEVIATE FROM THE REQUIREMENTS DETAILED HEREIN, A LICENSED ENGINEER OR ARCHITECT SHALL PREPARE SITE SPECIFIC DOCUMENTS FOR USE WITH THIS DOCUMENT.

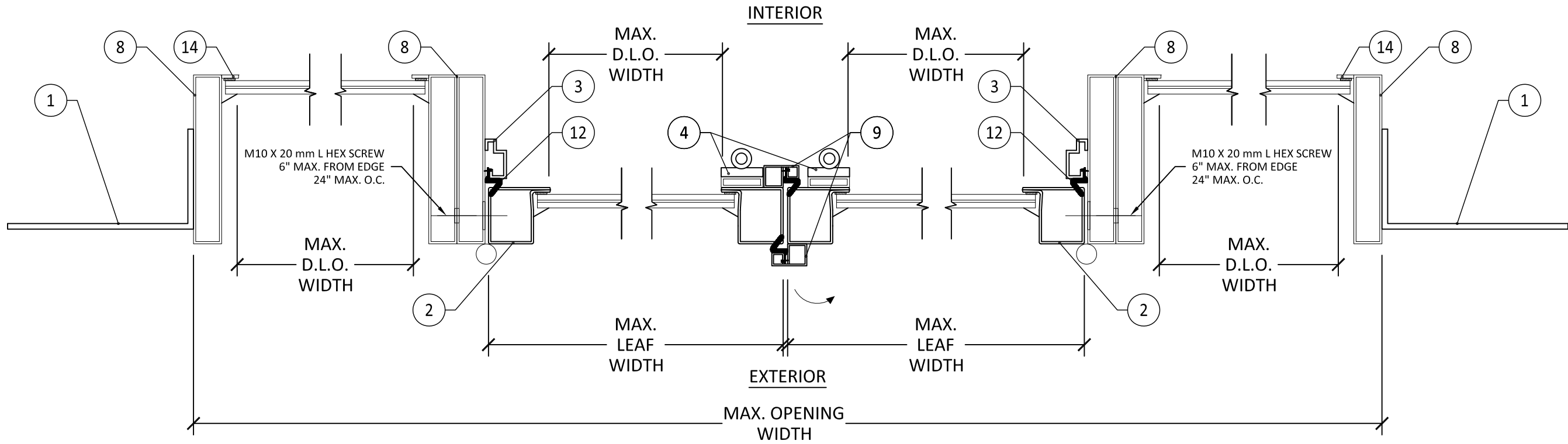


FL27071

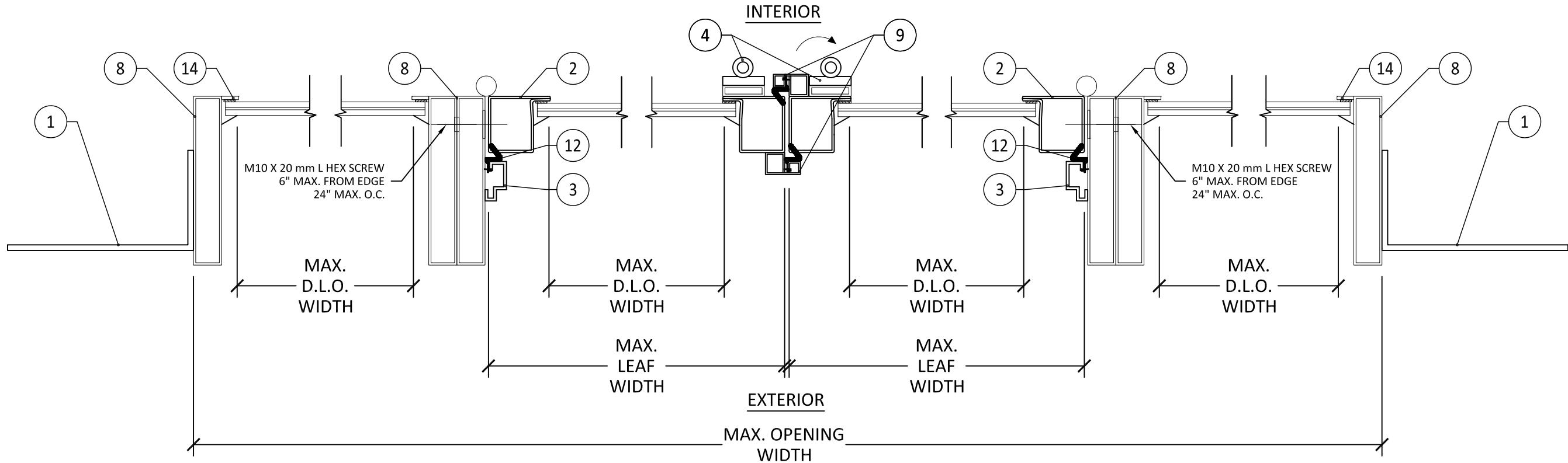
DATE: **01.16.23**
DWG. BY: **MS** CHK. BY: **HFN**
SCALE: **NTS**
DWG. #: **PCI016**
SHEET:

26

OF 32



A HORIZONTAL SECTION
26 OUTSWING W/ SIDELITE



B HORIZONTAL SECTION
26 INSWING W/ SIDELITE

2/13/2023 4:30 PM s:\projects\palmcity\ironworks\inc\fbc-19-1124-fbc-submittal-f16749-f127071-f127072-f127073-f127074-f127075-mullion\dwg\urban door\new package\pci016.dwg

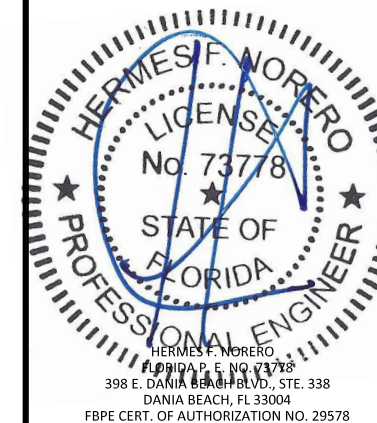
TITLE:
URBAN SERIES OUTSWING / INSWING
NARROW STILE DOOR
(WZ3) (IMPACT)
HORIZONTAL SECTIONS

PREPARED BY:
BUILDING DROPS, INC.
398 E. DANIA BEACH BLVD., STE. 338
DANIA BEACH, FL 33004
PH: (954)399-8478
FAX: (954)744-4738
WEB: www.buildingdrops.com



REMARKS	BY	DATE

THE INSTALLATION DETAILS DESCRIBED HEREIN ARE GENERIC AND MAY NOT REFLECT ACTUAL CONDITIONS FOR A SPECIFIC SITE. IF SITE CONDITIONS CAUSE INSTALLATION TO DEVIATE FROM THE REQUIREMENTS DETAILED HEREIN, A LICENSED ENGINEER OR ARCHITECT SHALL PREPARE SITE SPECIFIC DOCUMENTS FOR USE WITH THIS DOCUMENT.



FL27071

DATE: **01.16.23**

DWG. BY:
MS

CHK. BY:
HFN

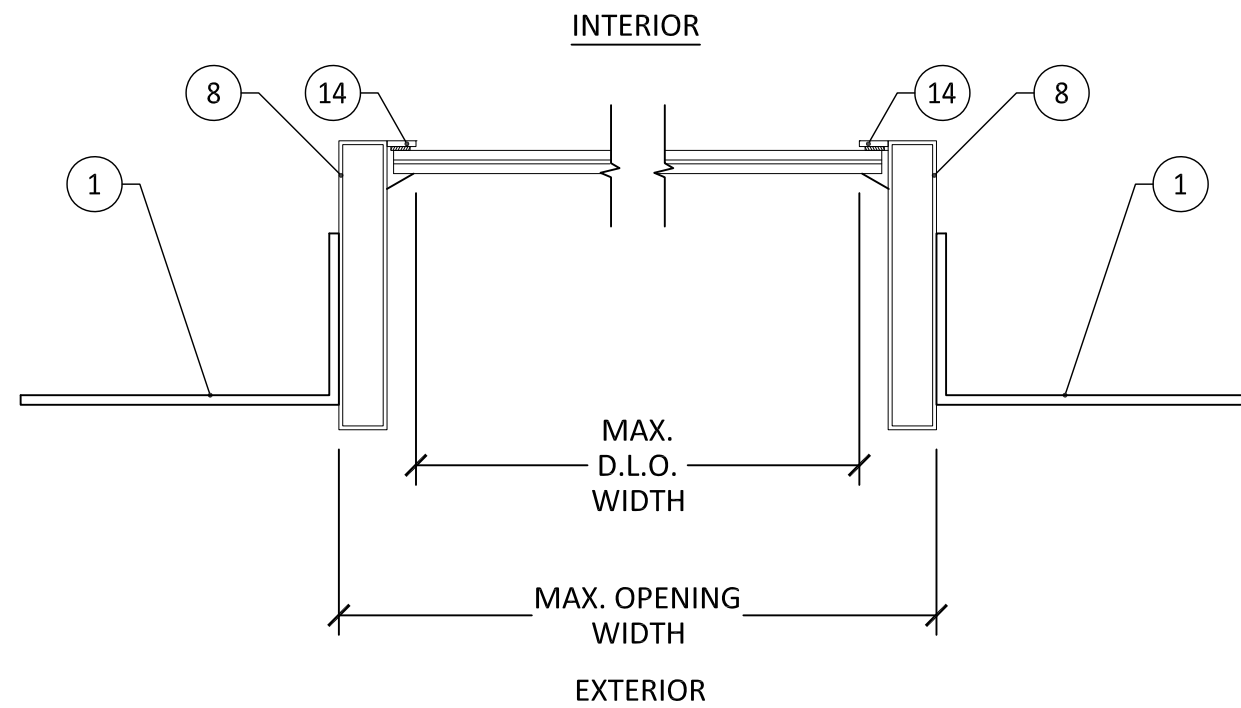
SCALE: **NTS**

DWG. #: **PCI016**

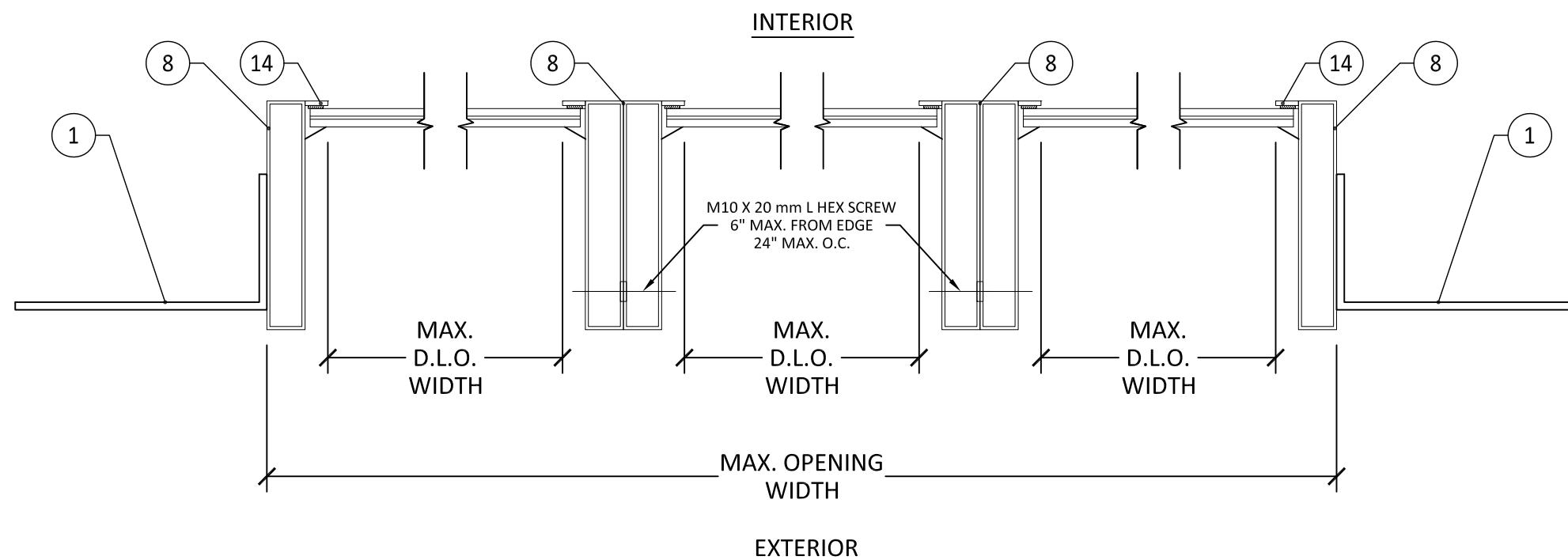
SHEET:

27

OF 32



A HORIZONTAL SECTION
27 FIXED



B HORIZONTAL SECTION
27 THREE FIXED

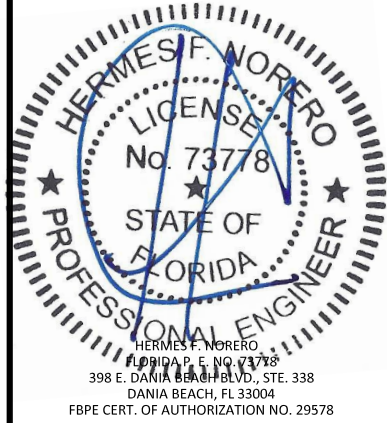
s:\projects\palmcity ironworks, inc\fbc-19-1124 - fbc submittal - fl27071, fl27072, fl27073, fl27074, fl27075, million\dwg\urban door\new package\pci016.dwg 2/13/2023 4:30 PM

TITLE: URBAN SERIES OUTSWING / INSWING
NARROW STILE DOOR
(WZ3) (IMPACT)
HORIZONTAL SECTIONS

PREPARED BY: **BUILDING DROPS, INC.**
398 E. DANIA BEACH BLVD., STE. 338
DANIA BEACH, FL 33004
PH: (954) 399-8478
FAX: (954) 744-4738
WEB: www.buildingdrops.com

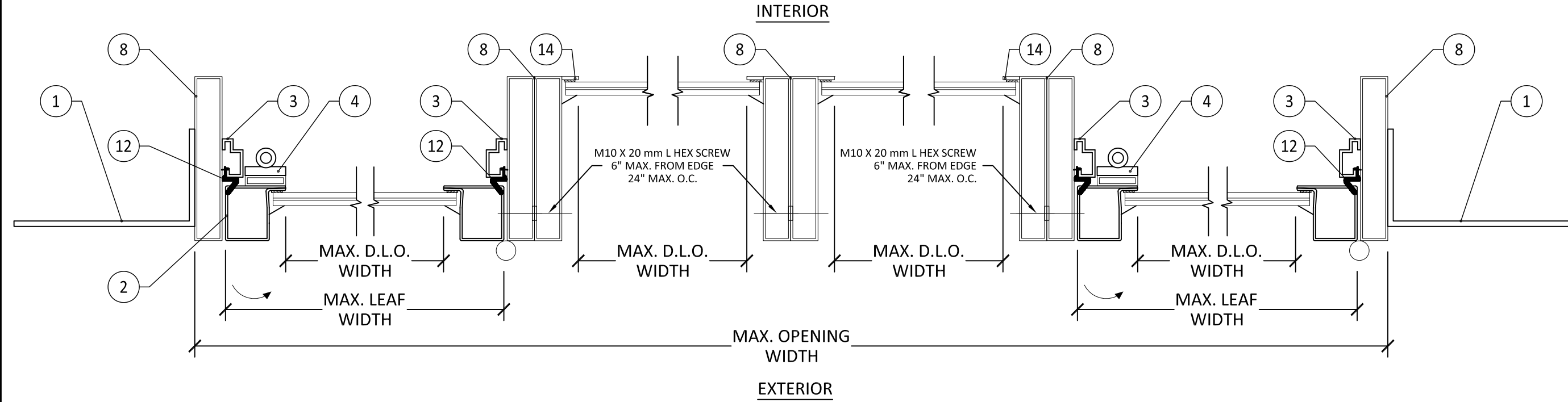
REMARKS	BY	DATE

THE INSTALLATION DETAILS DESCRIBED HEREIN ARE GENERIC AND MAY NOT REFLECT ACTUAL CONDITIONS FOR A SPECIFIC SITE. IF SITE CONDITIONS CAUSE INSTALLATION TO DEVIATE FROM THE REQUIREMENTS DETAILED HEREIN, A LICENSED ENGINEER OR ARCHITECT SHALL PREPARE SITE SPECIFIC DOCUMENTS FOR USE WITH THIS DOCUMENT.

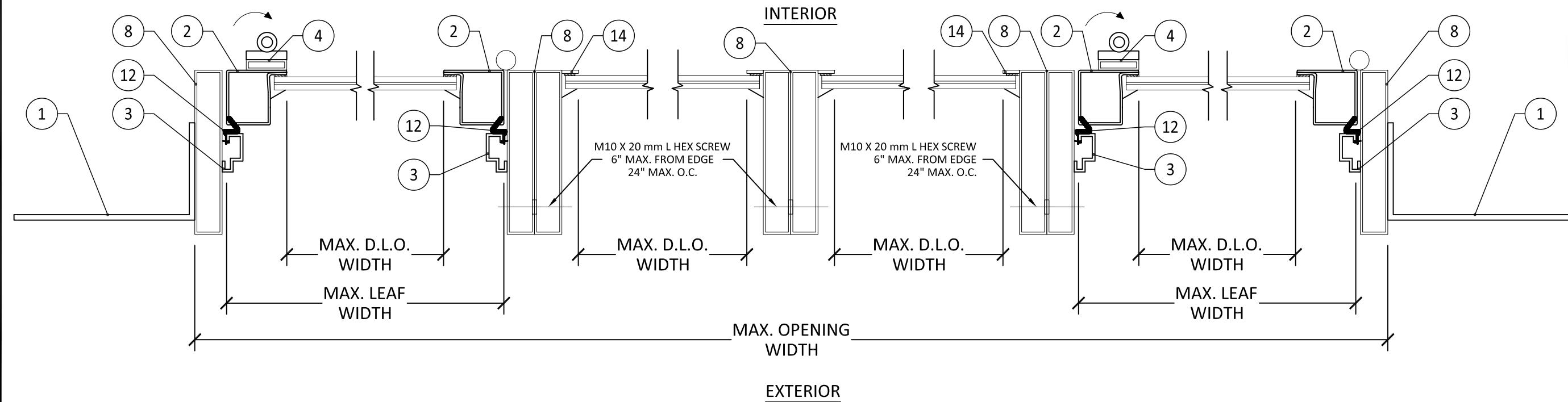


FL27071

DATE:	01.16.23
DWG. BY:	MS
CHK. BY:	HFN
SCALE:	NTS
DWG. #:	PCI016
SHEET:	28



A HORIZONTAL SECTION
XOOX - OUTSWING

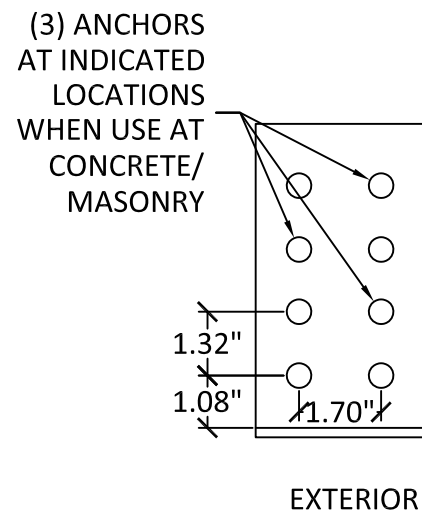


B HORIZONTAL SECTION
XOOX - INSWING

2/13/2023 4:30 PM
s:\projects\palmcity_ironworks, inc\fbc-19-1124 - fbc submittal - fl16749 - fl27071, fl27072, fl27073, fl27074, fl27075, nullion\dwg\urban door\new package\pci016.dwg

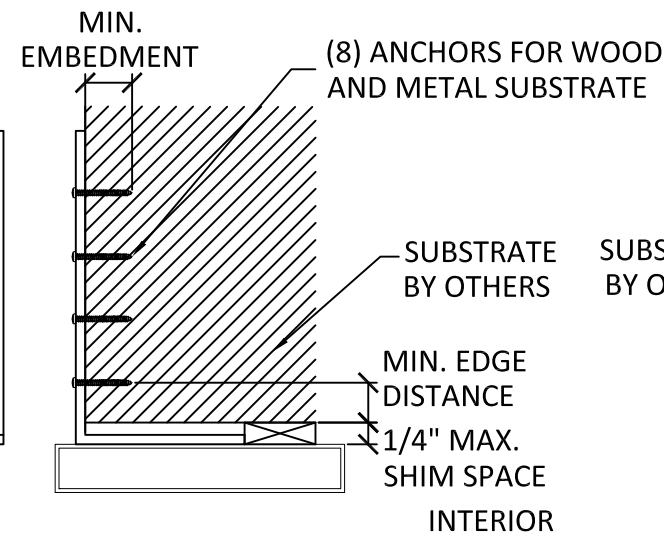
2/13/2023 4:30 PM

s:\projects\palmcity\ironworks_incl\lbc-19-1124-fbc-submittal-0116749-0127071-0127072-0127073-0127074-0127075-mullion\dwgs\urban door\new package\pci016.dwg



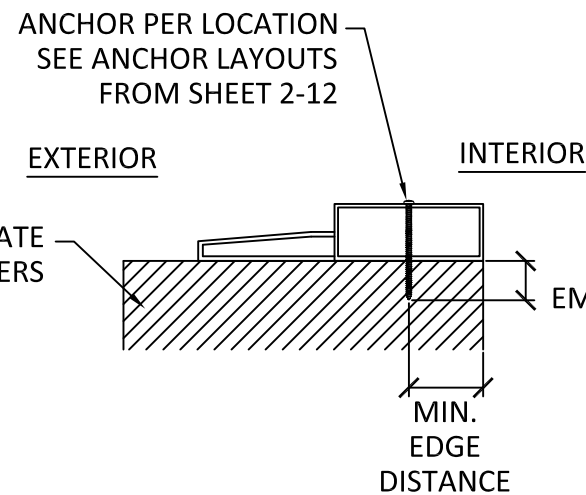
A
29

ANCHOR INSTALLATION
THROUGH METAL BRACKET (HEAD/JAMB)



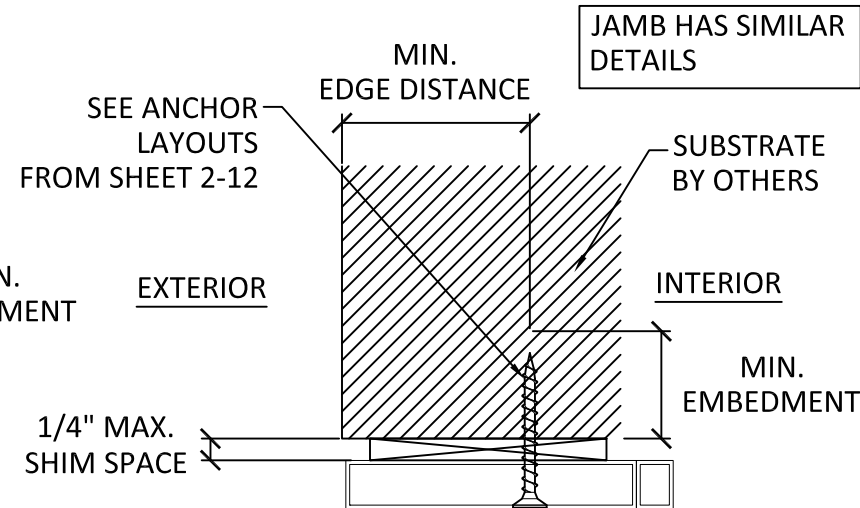
B
29

ANCHOR INSTALLATION
THROUGH FRAME (SILL)



C
29

ANCHOR INSTALLATION
THROUGH FRAME



INSTALLATION NOTES:

- ONE (1) INSTALLATION ANCHOR IS REQUIRED AT EACH ANCHOR LOCATION SHOWN UNLESS OTHERWISE SPECIFIED.
- THE NUMBER OF INSTALLATION ANCHORS DEPICTED IS THE MINIMUM NUMBER OF ANCHORS TO BE USED FOR PRODUCT INSTALLATION OF THE MAXIMUM SIZE LISTED.
- FOR MASONRY OR CONCRETE OPENINGS A 1X WOOD BUCK MAY BE USED (OPTIONAL) AS LONG AS THE MINIMUM EMBEDMENT AND EDGE DISTANCE REQUIREMENTS ARE STILL MET WITHIN THE CORRESPONDING HOST SUBSTRATE.
- INSTALL INDIVIDUAL INSTALLATION ANCHORS WITHIN A TOLERANCE OF $\pm 1/2$ INCH THE DEPICTED LOCATION & SPACING IN THE ANCHOR LAYOUT DETAILS (I.E., WITHOUT CONSIDERATION OF TOLERANCES). TOLERANCES ARE NOT CUMULATIVE FROM ONE INSTALLATION ANCHOR TO THE NEXT.
- SHIM AS REQUIRED AT EACH INSTALLATION ANCHOR WITH LOAD BEARING SHIM(S). MAXIMUM ALLOWABLE SHIM STACK TO BE 1/4 INCH. SHIM WHERE SPACE OF 1/16 INCH OR GREATER OCCURS. SHIM(S) SHALL BE CONSTRUCTED OF HIGH DENSITY, HIGH IMPACT, NON-METALIC, NON COMPRESSIBLE, NATURALLY DURABLE & PRESERVATIVE TREATED MATERIALS.
- MINIMUM EMBEDMENT AND EDGE DISTANCE EXCLUDE WALL FINISHES, INCLUDING BUT NOT LIMITED TO STUCCO, FOAM, BRICK VENEER, AND SIDING.
- INSTALLATION ANCHORS AND ASSOCIATED HARDWARE MUST BE MADE OF CORROSION RESISTANT MATERIAL OR HAVE A CORROSION RESISTANT COATING.
- FOR HOLLOW BLOCK AND GROUT FILLED BLOCK, DO NOT INSTALL INSTALLATION ANCHORS INTO MORTAR JOINTS. EDGE DISTANCE IS MEASURED FROM FREE EDGE OF BLOCK OR EDGE OF MORTAR JOINT INTO FACE SHELL OF BLOCK.
- INSTALLATION ANCHORS SHALL BE INSTALLED IN ACCORDANCE WITH ANCHOR MANUFACTURER'S INSTALLATION INSTRUCTIONS, AND ANCHORS SHALL NOT BE USED IN SUBSTRATES WITH STRENGTHS LESS THAN THE MINIMUM STRENGTH SPECIFIED BY THE ANCHOR MANUFACTURER.

ANCHOR SCHEDULE				
METHOD	ANCHOR TYPE	SUBSTRATE	MIN. EMBEDMENT	MIN. EDGE DISTANCE
THROUGH METAL BRACKET (HEAD/JAMB)	#8 WOOD SCREW	WOOD: MIN. SG = 0.55	1.50"	0.75"
	#8-32 GRADE 5 SELF-DRILLING OR SELF-TAPPING SCREW	STEEL: MIN. 18 GAUGE, MIN. FY = 36 KSI	3 THREADS MIN. PENETRATION BEYOND METAL	0.50"
		ALUMINUM: MIN. ALLOY 6063-T5, MIN. 1/8" THICK		
	1/4" ITW TAPCON	CONCRETE: MIN. F'C = 3000 PSI	1.00"	2.00"
1/4" ITW TAPCON	MASONRY: CMU PER ASTM C90, MIN. 2000 PSI	1.00"	2.25"	
THROUGH FRAME (HEAD/JAMB/SILL)	#10 WOOD SCREW	WOOD: MIN. SG = 0.55	1.50"	1.00"
	1/4"-20 GRADE 5 SELF-DRILLING OR SELF-TAPPING SCREW	STEEL: MIN. 18 GAUGE, MIN. FY = 36 KSI	3 THREADS MIN. PENETRATION BEYOND METAL	0.50"
ALUMINUM: MIN. ALLOY 6063-T5, MIN. 1/8" THICK				
THROUGH FRAME (HEAD/JAMB)	1/4" ITW TAPCON	CONCRETE: MIN. F'C = 3000 PSI	1.50"	1.50"
	1/4" ITW TAPCON	MASONRY: CMU PER ASTM C90, MIN. 2000 PSI	1.00"	2.00"
THROUGH FRAME (SILL)	1/4" ITW TAPCON	CONCRETE: MIN. F'C = 3000 PSI	1.50"	2.50"

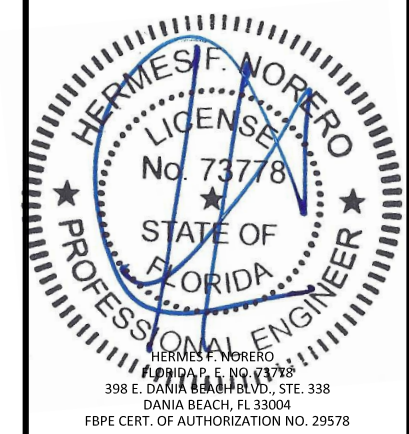


PALM CITY IRONWORKS
3160 KUTAK RD.
FORT MYERS, FL 33916
PH: (239) 691-8400 FX: (239)277-0061

TITLE: URBAN SERIES OUTSWING / INSWING NARROW STILE DOOR (WZ3) (IMPACT)
INSTALLATION NOTES, ANCHOR DETAILS & ANCHOR SCHEDULE
PREPARED BY: BUILDING DROPS, INC.
398 E. DANIA BEACH BLVD., STE. 338
DANIA BEACH, FL 33004
PH: (954)399-8478
FAX: (954)744-4738
WEB: www.buildingdrops.com

REMARKS	BY	DATE

THE INSTALLATION DETAILS DESCRIBED HEREIN ARE GENERIC AND MAY NOT REFLECT ACTUAL CONDITIONS FOR A SPECIFIC SITE. IF SITE CONDITIONS CAUSE INSTALLATION TO DEVIATE FROM THE REQUIREMENTS DETAILED HEREIN, A LICENSED ENGINEER OR ARCHITECT SHALL PREPARE SITE SPECIFIC DOCUMENTS FOR USE WITH THIS DOCUMENT.



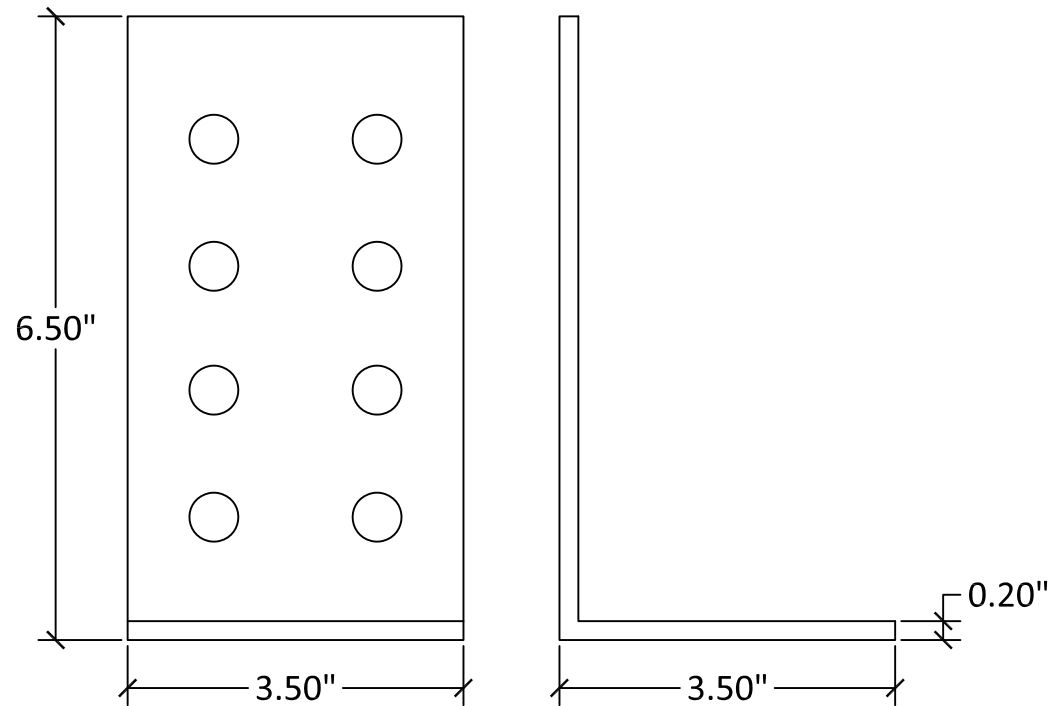
FL27071

DATE: **01.16.23**
DWG. BY: **MS** CHK. BY: **HFN**
SCALE: **NTS**
DWG. #: **PCI016**
SHEET:

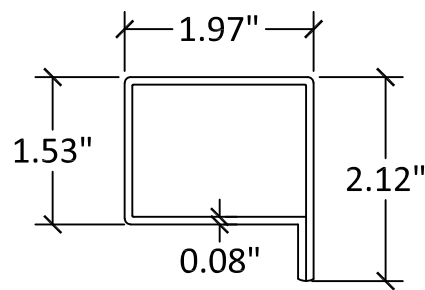
29

BILL OF MATERIALS

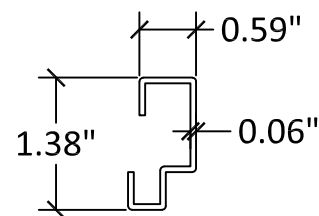
ITEM	DESCRIPTION	MATERIAL	MANUFACTURER
1	METAL BRACKETS	Q235B STEEL	XIAMEN JINZHIXING INDUSTRIAL CO., LTD
2	DOOR, SIDELITE & TRANSOM FRAME	Q235B STEEL	XIAMEN JINZHIXING INDUSTRIAL CO., LTD
3	DOOR STOP	Q235B STEEL	XIAMEN JINZHIXING INDUSTRIAL CO., LTD
4	SURFACE BOLT	Q235B STEEL	XIAMEN JINZHIXING INDUSTRIAL CO., LTD
5	INSWING THRESHOLD	Q235B STEEL	XIAMEN JINZHIXING INDUSTRIAL CO., LTD
6A	INSWING ADA SILL	Q235B STEEL	XIAMEN JINZHIXING INDUSTRIAL CO., LTD
6B	OUTSWING ADA SILL	Q235B STEEL	XIAMEN JINZHIXING INDUSTRIAL CO., LTD
7	BOTTOM RAIL	Q235B STEEL	XIAMEN JINZHIXING INDUSTRIAL CO., LTD
8	JAMB	Q235B STEEL	XIAMEN JINZHIXING INDUSTRIAL CO., LTD
9	ASTRAGAL	Q235B STEEL	XIAMEN JINZHIXING INDUSTRIAL CO., LTD
10	HINGE	Q235B STEEL	XIAMEN JINZHIXING INDUSTRIAL CO., LTD
11	DOOR SWEEP	PLASTIC	HEBEI JIAN'AN THERMAL INSULATION MATERIAL CO., LTD
12	WEATHER STRIPPING	Q-LON	HEBEI JIAN'AN THERMAL INSULATION MATERIAL CO., LTD
13	SURFACE BOLT RECEIVER	Q235B STEEL	XIAMEN JINZHIXING INDUSTRIAL CO., LTD
14	GLASS HOLDER	Q235B STEEL	XIAMEN JINZHIXING INDUSTRIAL CO., LTD
15	FRAME OF SIDELITE AND TRANSOM	Q235B STEEL	XIAMEN JINZHIXING INDUSTRIAL CO., LTD
16	OUTSWING THRESHOLD	Q235B STEEL	XIAMEN JINZHIXING INDUSTRIAL CO., LTD
17	DOOR SWEEP	PLASTIC	HEBEI JIAN'AN THERMAL INSULATION MATERIAL CO., LTD
18	SURFACE BOLT SHIM	Q235B STEEL	XIAMEN JINZHIXING INDUSTRIAL CO., LTD
19	SURFACE BOLT SHIM	Q235B STEEL	XIAMEN JINZHIXING INDUSTRIAL CO., LTD
20	GLAZING PERIMETER BEAD	Q235B STEEL	XIAMEN JINZHIXING INDUSTRIAL CO., LTD



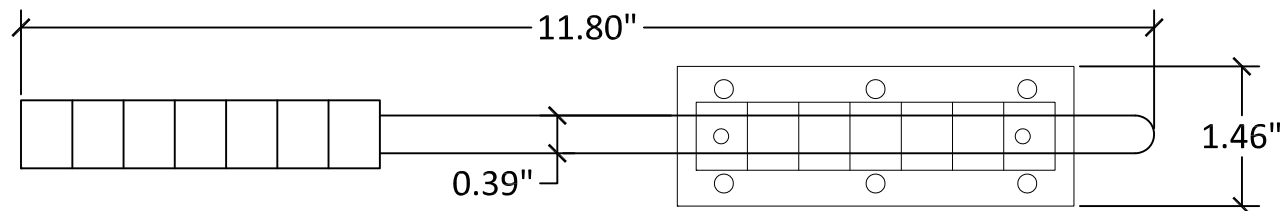
① METAL BRACKET



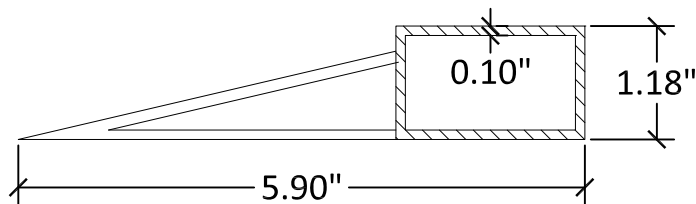
② DOOR STILE & TRANSOM FRAME



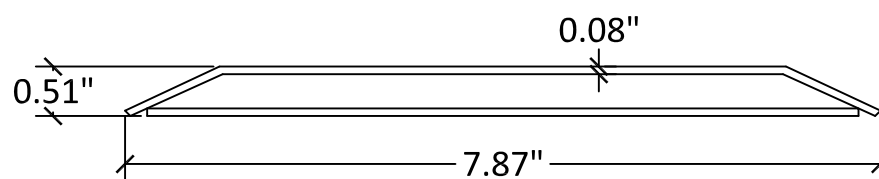
③ DOOR STOP



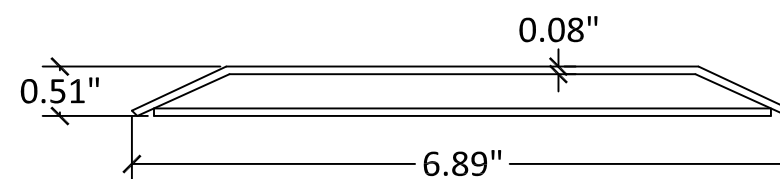
④ SURFACE BOLT



⑤ INSWING THRESHOLD



⑥A INSWING ADA SILL



⑥B OUTSWING ADA SILL

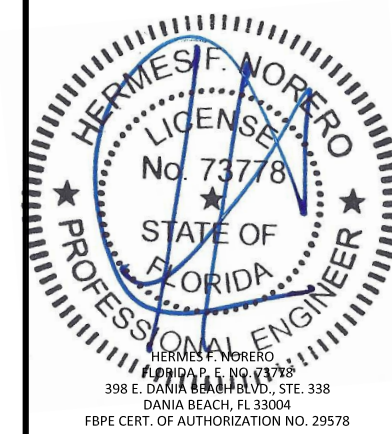


PALM CITY IRONWORKS
3160 KUTAK RD.
FORT MYERS, FL 33916
PH: (239) 691-8400 FX: (239) 277-0061

TITLE: URBAN SERIES OUTSWING / INSWING NARROW STILE DOOR (WZ3) (IMPACT) COMPONENTS
PREPARED BY: BUILDING DROPS, INC.
398 E. DANIA BEACH BLVD., STE. 338 DANIA BEACH, FL 33004
PH: (954) 399-8478 FAX: (954) 744-4738 WEB: www.buildingdrops.com

REMARKS	BY	DATE

THE INSTALLATION DETAILS DESCRIBED HEREIN ARE GENERIC AND MAY NOT REFLECT ACTUAL CONDITIONS FOR A SPECIFIC SITE. IF SITE CONDITIONS CAUSE INSTALLATION TO DEVIATE FROM THE REQUIREMENTS DETAILED HEREIN, A LICENSED ENGINEER OR ARCHITECT SHALL PREPARE SITE SPECIFIC DOCUMENTS FOR USE WITH THIS DOCUMENT.



FL27071

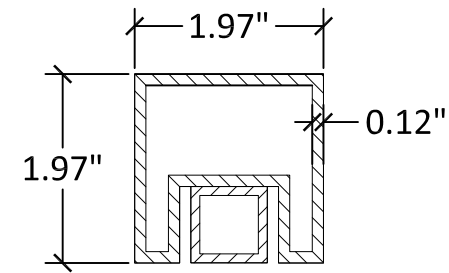
DATE: 01.16.23
DWG. BY: MS
CHK. BY: HFN
SCALE: NTS
DWG. #: PCI016

SHEET: 30 OF 32

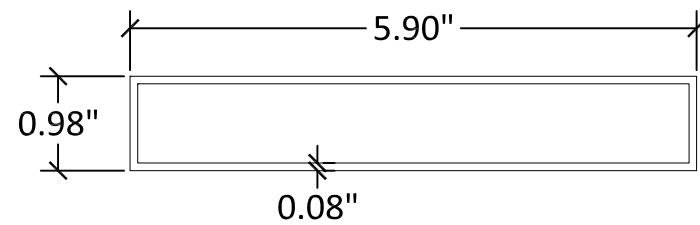
TITLE: URBAN SERIES OUTSWING / INSWING
NARROW STILE DOOR
(WZ3) (IMPACT)

COMPONENTS & BILL OF MATERIALS

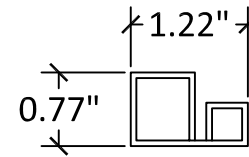
PREPARED BY:
BUILDING DROPS, INC.
398 E. DANIA BEACH BLVD., STE. 338
DANIA BEACH, FL 33004
PH: (954)399-8478
FAX: (954)744-4738
WEB: www.buildingdrops.com



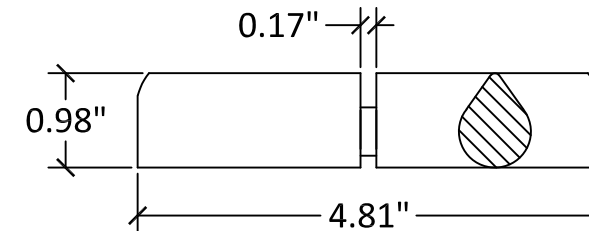
7 BOTTOM RAIL



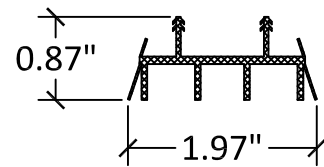
8 JAMB



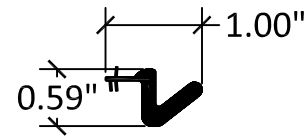
9 ASTRAGAL



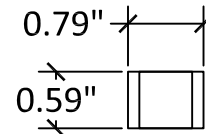
10 HINGE



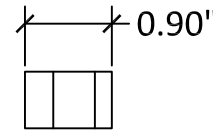
11 DOOR SWEEP



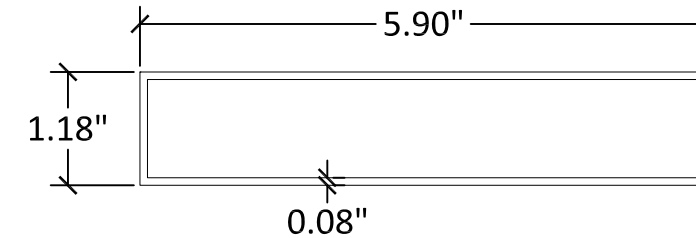
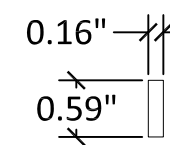
12 WEATHER STRIPPING



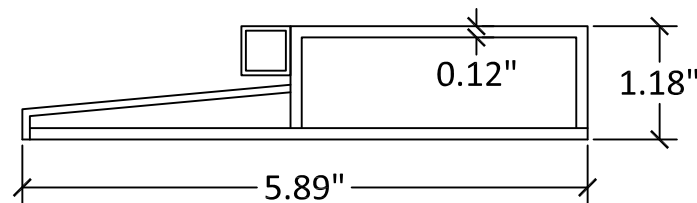
13 SURFACE BOLT RECEIVER



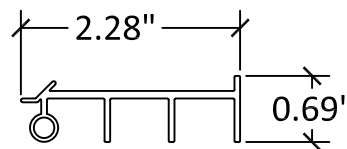
14 GLASS HOLDER



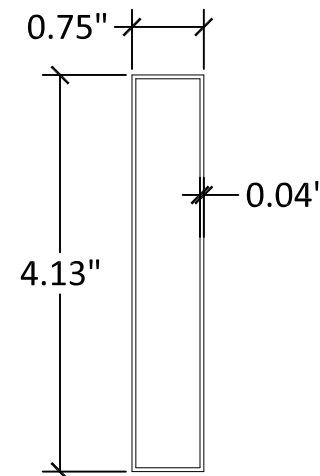
15 FRAME OF SIDELITE AND TRANSOM



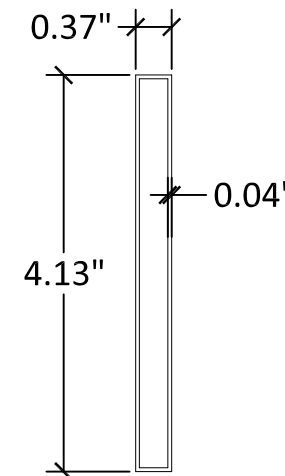
16 OUTSWING THERSHOLD



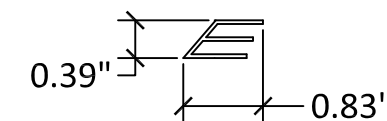
17 DOOR SWEEP



18 SURFACE BOLT SHIM

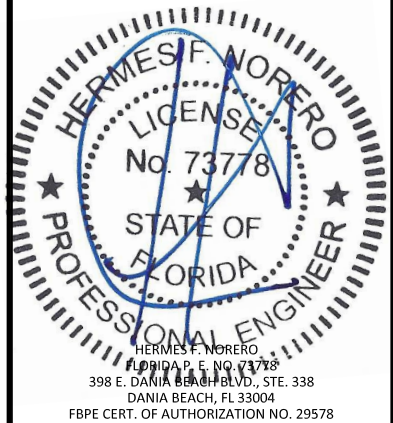


19 SURFACE BOLT SHIM



20 GLAZING PERIMETER BEAD

THE INSTALLATION DETAILS DESCRIBED HEREIN ARE GENERIC AND MAY NOT REFLECT ACTUAL CONDITIONS FOR A SPECIFIC SITE. IF SITE CONDITIONS CAUSE INSTALLATION TO DEVIATE FROM THE REQUIREMENTS DETAILED HEREIN, A LICENSED ENGINEER OR ARCHITECT SHALL PREPARE SITE SPECIFIC DOCUMENTS FOR USE WITH THIS DOCUMENT.



FL27071

DATE: **01.16.23**

DWG. BY: **MS** CHK. BY: **HFN**

SCALE: **NTS**

DWG. #: **PCI016**

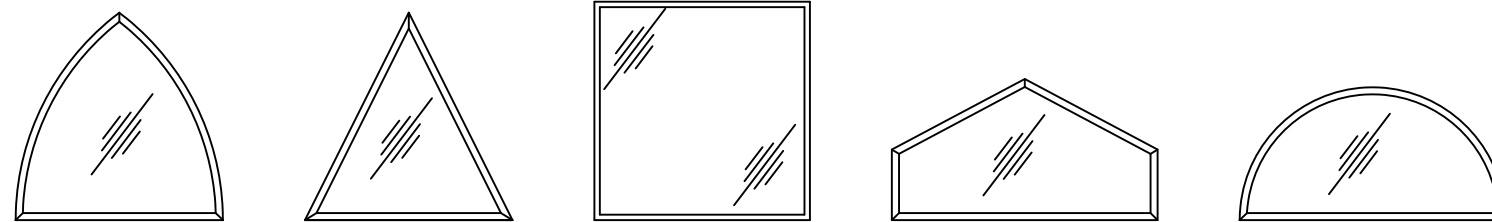
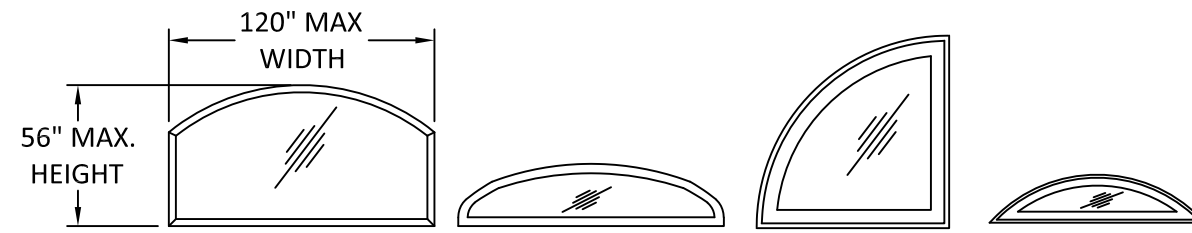
SHEET:

31

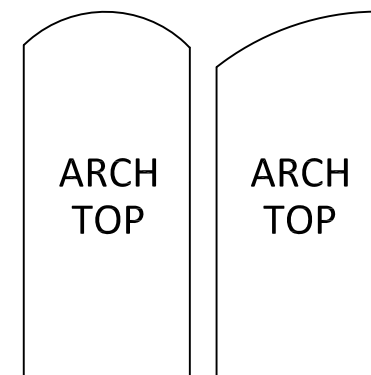
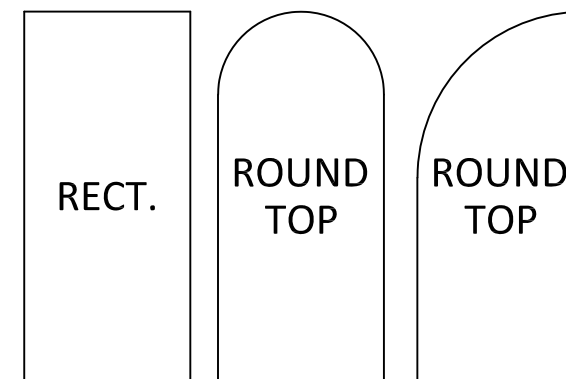
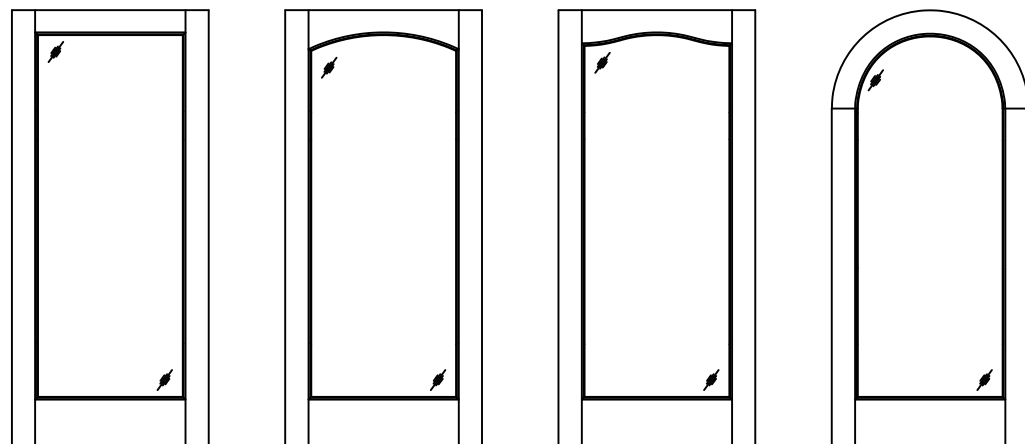
OF 32

s:\projects\palmcity\ironworks\inc\lbc-19-1124-fbc-submittal-116749-fbc-submittal-1127071-1127072-1127073-1127074-1127075-mullion\dwg\urban door\new package\pci016.dwg 2/13/2023 4:31 PM

QUALIFIED TRANSOM SHAPES



QUALIFIED DOOR SHAPES



LIMITATIONS:

- NO TRUE MUNTIN ALLOWED: SURFACE-APPLIED MUNTINS MAY BE USED FOR DIVIDED LITES OR LITE MAY BE DIVIDED USING MID-RAILS AND STILES.
- DOOR AND TRANSOMS PANELS MAY BE RECTANGULAR, ROUND OR ARCH TOP.

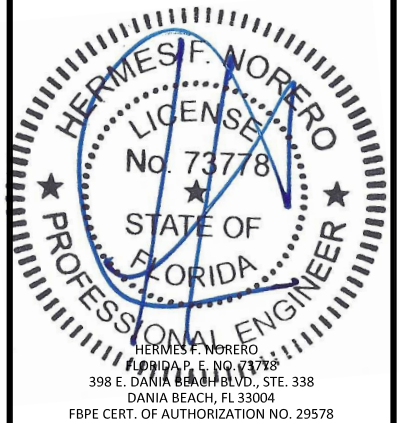
TITLE: URBAN SERIES OUTSWING / INSWING NARROW STILE DOOR (WZ3) (IMPACT)
QUALIFIED CONFIGURATIONS

PREPARED BY: BUILDING DROPS, INC.
398 E. DANIA BEACH BLVD., STE. 338
DANIA BEACH, FL 33004
PH: (954)399-8478
FAX: (954)744-4738
WEB: www.buildingdrops.com



REMARKS	BY	DATE

THE INSTALLATION DETAILS DESCRIBED HEREIN ARE GENERIC AND MAY NOT REFLECT ACTUAL CONDITIONS FOR A SPECIFIC SITE. IF SITE CONDITIONS CAUSE INSTALLATION TO DEVIATE FROM THE REQUIREMENTS DETAILED HEREIN, A LICENSED ENGINEER OR ARCHITECT SHALL PREPARE SITE SPECIFIC DOCUMENTS FOR USE WITH THIS DOCUMENT.



FL27071

DATE: 01.16.23

DWG. BY: MS CHK. BY: HFN

SCALE: NTS

DWG. #: PCI016

SHEET:

32